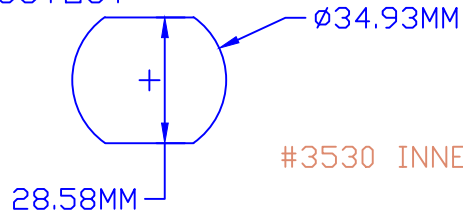


THE INFORMATION CONTAINED IN THIS DRAWING IS THE SOLE PROPERTY OF VTE INCORPORATED. ANY REPRODUCTION IN PART OR WHOLE WITHOUT THE WRITTEN PERMISSION OF VTE INCORPORATED IS PROHIBITED.

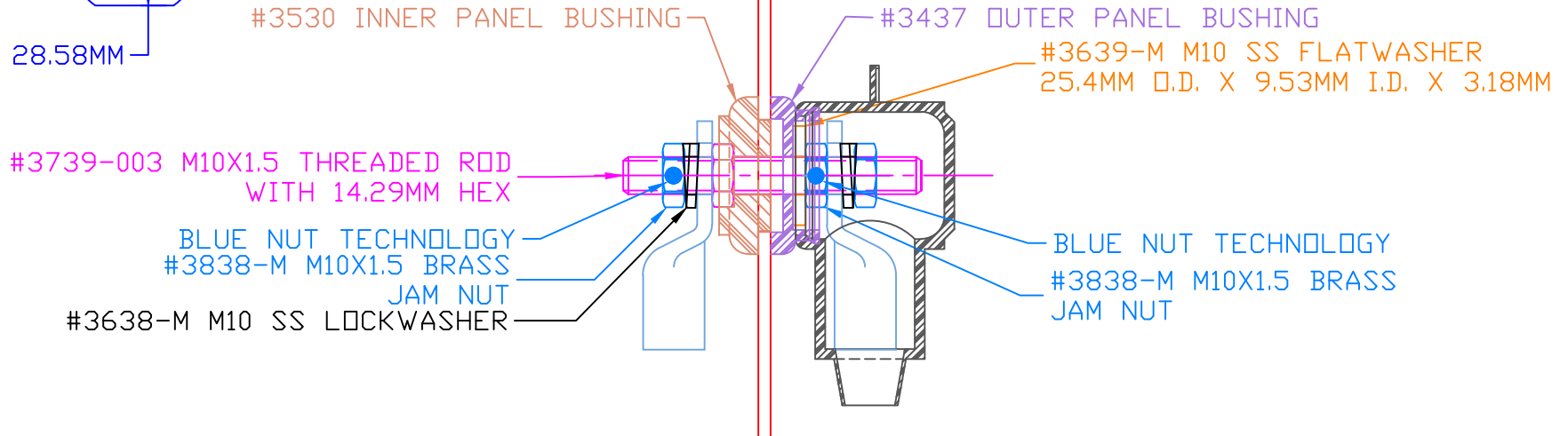
LTR.	REVISIONS	DATE	INT.
△	ASSEMBLY OBSOLETE	8-15-17	RAS

VTE MAKES NO WARRANTY, EXPRESSED OR IMPLIED, AS TO THE SUITABILITY OF A PRODUCT FOR ANY INTENDED USE. THE CUSTOMER SHALL BEAR THE SOLE RESPONSIBILITY OF DETERMINING THE SUITABILITY OF ANY VTE PRODUCT FOR ITS END USE.

USE GREENLEE  
PUNCH ASSEMBLY  
#60098 FOR PANEL  
CUTOUT



ASSEMBLY #7B3730-M



DO NOT SCALE

TOLERANCE UNLESS OTHERWISE SPECIFIED: ±.030"/±0.8mm  
RADIAL DIAMETERS TO BE MEASURED OVER MANDRELS,  
RING GAGES OR PIN GAGES OF SUITABLE SIZE

INCLUDES P-16808110001 BLUE DOT MULTI LABEL, 1 PER CONTAINER

**MAXIMUM AMPERAGE: 500 AMPS @ 12VDC**

OPTIONAL ITEMS SHOWN FOR ILLUSTRATIVE  
PURPOSE, NOT INCLUDED:

232N3 WEATHERPROOFING TERMINAL COVER  
1/0 GA. TERMINAL LUGS (2 PLACES)

	<b>VTE Incorporated</b> 5437 Robinson Road, P.O. Box 790 Pellston, Michigan 49769 Telephone: 1-800-527-9256, 231-539-8000 FAX: 231-539-0914	
	REF:	DATE:
	04AUG03	DRN BY: BRH
		CHK'D BY: BRH
TITLE: POWER BUSHING 10 MM STUD 1/8" MAX PANEL	WEIGHT:	
MATERIAL:		PART NO.
COLOR:	DRG CLASS	<b>7B3730-M</b>

REF:	DATE:	DRN BY: BRH	WEIGHT:
	04AUG03	CHK'D BY: BRH	
TITLE: POWER BUSHING 10 MM STUD 1/8" MAX PANEL	SCALE:		
MATERIAL:		PART NO.	
COLOR:	DRG CLASS	<b>7B3730-M</b>	