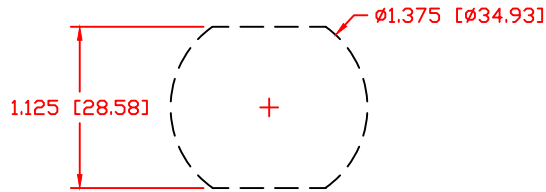


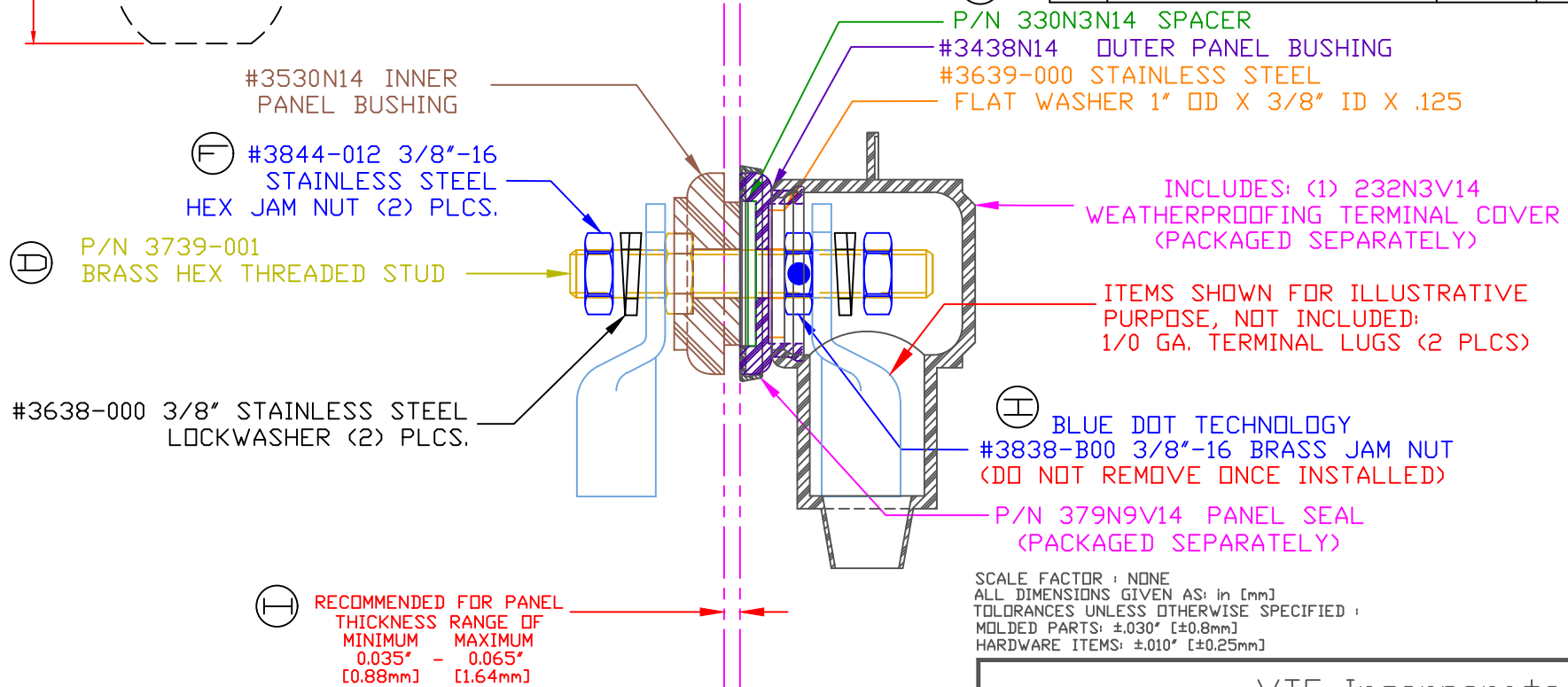
THE INFORMATION CONTAINED IN THIS DRAWING IS THE SOLE PROPERTY OF VTE INCORPORATED. ANY REPRODUCTION IN PART OR WHOLE WITHOUT THE WRITTEN PERMISSION OF VTE INCORPORATED IS PROHIBITED. VTE MAKES NO WARRANTY, EXPRESSED OR IMPLIED, AS TO THE SUITABILITY OF A PRODUCT FOR ANY INTENDED USE. THE CUSTOMER SHALL BEAR THE SOLE RESPONSIBILITY OF DETERMINING THE SUITABILITY OF ANY VTE PRODUCT FOR ITS END USE.

LTR.	REVISIONS	DATE	INT.
A	3838-000 WAS 3838, 3844-003 ADDED 2 PLCS.	3-02-07	BRH
B	ADDED CALLOUT FOR SPACER AND INSTRUCTION SHEET	5-01-07	BRH
C	ADDED CALLOUT FOR P/N 379 PANEL SEAL	2-13-08	BRH
D	3739-001 WAS 3739	3-08-11	BRH
E	MAX. TORQUE SPECS UPDATED	10-15-14	BRH
F	3844-012 WAS 3844-003	11-02-16	JMM
G	REVISED TORQUE SPEC FROM 180 IN./LBS	8-25-17	RAS
H	ADDED RECOMMENDED PANEL THICKNESS	8-30-17	RAS
I	PART NUMBER REVISED FROM 3838-000	9-11-17	RAS

USE GREENLEE PUNCH
ASSEMBLY #60098
FOR PANEL CUTOUT



ASSEMBLY #7B3730N14W
ASSEMBLY INSTRUCTIONS
SHEET DRAWING #16805110901



RECOMMENDED FOR PANEL THICKNESS RANGE OF
MINIMUM MAXIMUM
0.035" - 0.065"
[0.88mm] [1.64mm]

SCALE FACTOR : NONE
ALL DIMENSIONS GIVEN AS: in [mm]
TOLERANCES UNLESS OTHERWISE SPECIFIED :
MOLDED PARTS: ±.030" [±0.8mm]
HARDWARE ITEMS: ±.010" [±0.25mm]

MATERIAL PART NO: 1111210514UL
MATERIAL: GLASS FILLED NYLON
VENDOR PART NO: NYLON N2015 HL BK
SPECIFIC GRAVITY: 1.23
MELTING TEMP: 515 F [268 C]
U.L. RATING: UL 94 HB

MAXIMUM AMPERAGE: 300 AMPS @ 12VDC
MAXIMUM RECOMMENDED FASTENER TORQUE:
BRASS JAM NUT: 72 IN./LBS. [8.1 Nm]
STAINLESS STEEL JAM NUT: 160 IN./LBS. [18.0 Nm]
INCLUDES P-16808110001 BLUE DOT MULTI LABEL, 1 PER CONTAINER



VTE Incorporated
5437 Robinson Road, P.O. Box 790
Pellston, Michigan 49769
Telephone: 1-800-527-9256, 231-539-8000
FAX: 231-539-0914

REF: CUSTOMER DIMS	DATE: 8-23-21	DRN BY: RAS	WEIGHT:
		CHK'D BY: PJK	
TITLE: POWER BUSHING 3/8" STUD WEATHERPROOF			
MATERIAL: GLASS FILLED NYLON		PART NO. 7B3730N14W	
COLOR: BLACK	DRG CLASS REV I		