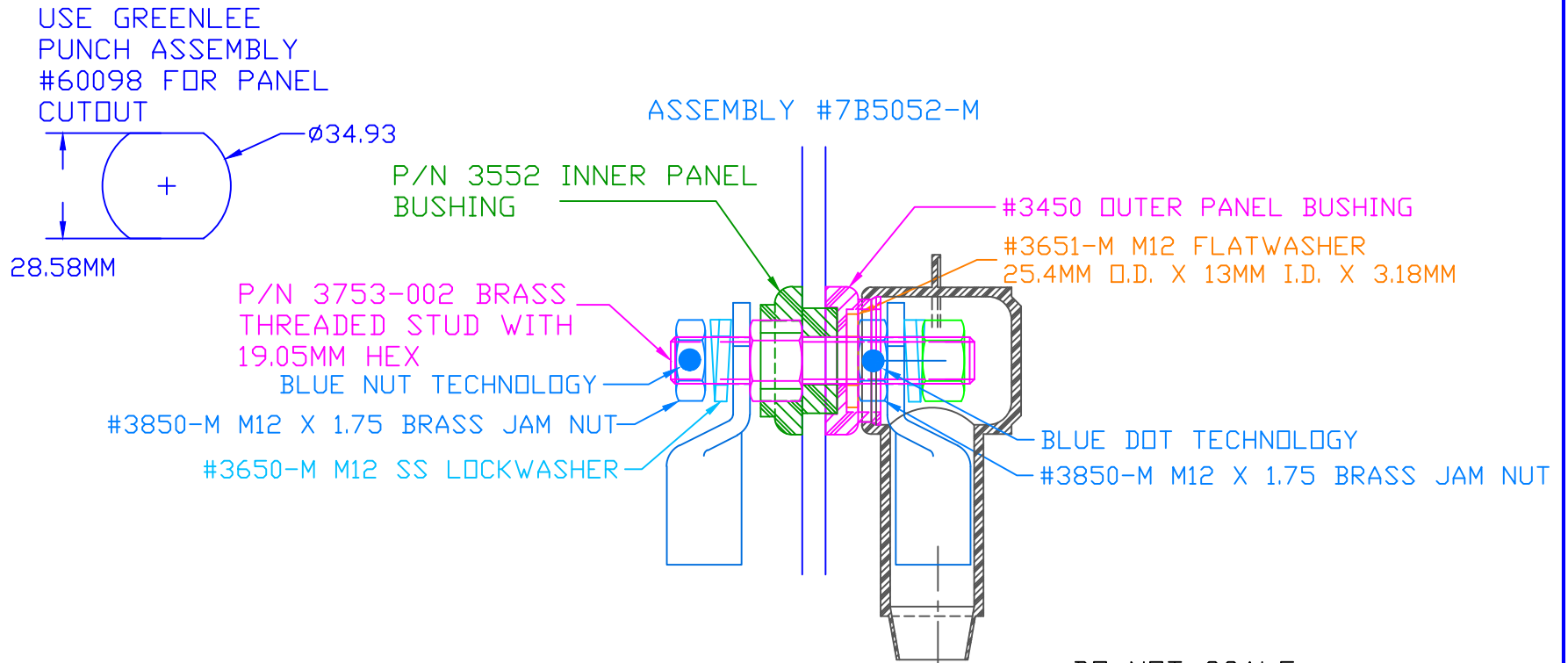


THE INFORMATION CONTAINED IN THIS DRAWING IS THE SOLE PROPERTY OF VTE INCORPORATED. ANY REPRODUCTION IN PART OR WHOLE WITHOUT THE WRITTEN PERMISSION OF VTE INCORPORATED IS PROHIBITED.

LTR.	REVISIONS	DATE	INT.
△	ADDED #3652 AND #3653	24JAN03	BRH
Ⓑ	ASSEMBLY OBSOLETE 8-28-17	8-28-17	RAS

VTE MAKES NO WARRANTY, EXPRESSED OR IMPLIED, AS TO THE SUITABILITY OF A PRODUCT FOR ANY INTENDED USE. THE CUSTOMER SHALL BEAR THE SOLE RESPONSIBILITY OF DETERMINING THE SUITABILITY OF ANY VTE PRODUCT FOR ITS END USE.



DO NOT SCALE


TOLERANCE UNLESS OTHERWISE SPECIFIED: $\pm 0.30^{\circ}/\pm 0.8\text{mm}$
 RADIAL DIAMETERS TO BE MEASURED OVER MANDRELS,
 RING GAGES OR PIN GAGES OF SUITABLE SIZE

INCLUDES P-16808110001 BLUE DOT MULTI LABEL, 1 PER CONTAINER

MAXIMUM AMPERAGE: 500 AMPS @ 12VDC

ITEMS SHOWN FOR ILLUSTRATIVE
 PURPOSE, NOT INCLUDED:

232E4 WEATHERPROOFING TERMINAL COVER
 4/0 GA. TERMINAL LUGS (2 PLACES)

		VTE Incorporated 5437 Robinson Road, P.O. Box 790 Pellston, Michigan 49769 Telephone: 1-800-527-9256, 231-539-8000 FAX: 231-539-0914	
		REF: *****	DATE: 02JAN03
TITLE: POWER BUSHING 12 MM STUD 3/8" MAX PANEL			SCALE:
MATERIAL:		PART NO.	
COLOR: *****	DRG CLASS *****	7B5052-M	