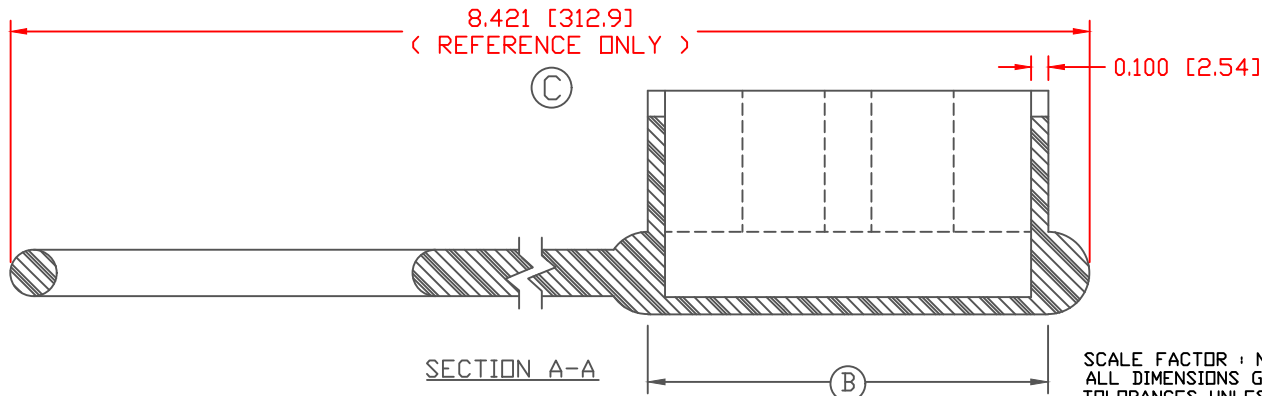
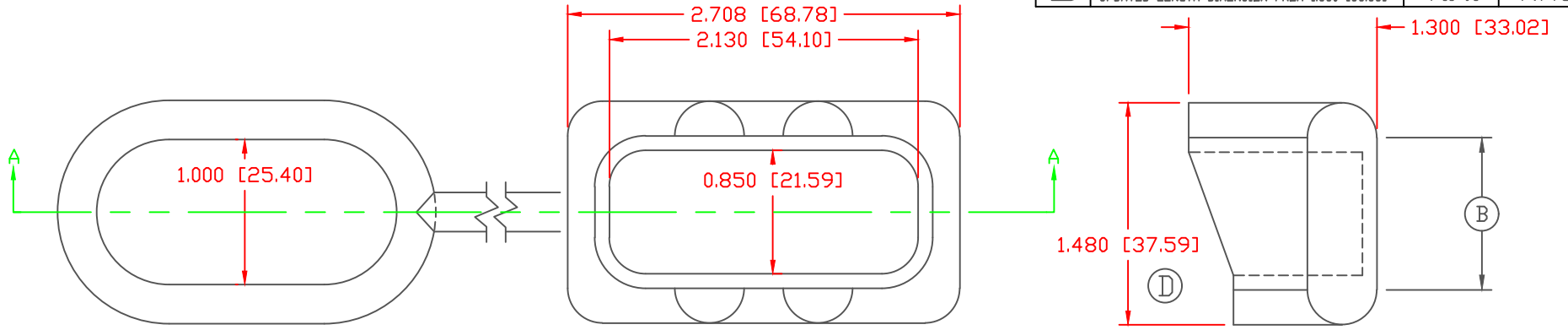


THE INFORMATION CONTAINED IN THIS DRAWING IS THE SOLE PROPERTY OF VTE INCORPORATED. ANY REPRODUCTION IN PART OR WHOLE WITHOUT THE WRITTEN PERMISSION OF VTE INCORPORATED IS PROHIBITED. VTE MAKES NO WARRANTY, EXPRESSED OR IMPLIED, AS TO THE SUITABILITY OF A PRODUCT FOR ANY INTENDED USE. THE CUSTOMER SHALL BEAR THE SOLE RESPONSIBILITY OF DETERMINING THE SUITABILITY OF ANY VTE PRODUCT FOR ITS END USE.

TYP. WALL THICKNESS = 2.5

TYP. RADIUS = 6.1 (UNLESS NOTED)


| LTR. | REVISIONS | DATE | INT. |
|------|--|----------|------|
| A | REDRAWN TO AGREE WITH PARTS AS MFG'D. | 12-26-12 | BRH |
| B | SLIGHTLY TEXTURED COSMETIC SURFACE ADDED | 8-07-17 | RAS |
| C | UPDATED LENGTH DIMENSION AS (REFERENCE ONLY) | 1-05-18 | RAS |
| D | UPDATED LENGTH DIMENSION FROM 1.530 [38.86] | 4-13-98 | RAS |



SCALE FACTOR : NONE
 ALL DIMENSIONS GIVEN AS: In [mm]
 TOLERANCES UNLESS OTHERWISE SPECIFIED :
 MOLDED PARTS: ±.030" [±0.8mm]

| | |
|------------------------------|-----------------------|
| MATERIAL PART NO: | 1101700114 |
| MATERIAL: | PVC |
| VENDOR PART NO: | 7843-70-BLACK |
| SHORE DUROMETER: | "A" 10 SEC. 70 |
| SPECIFIC GRAVITY: | 1.34 |
| ULT. ELONGATION %: | 350 |
| MELTING TEMP: | 320-340 F [160-171 C] |
| BRITTLE TEMP: | -22 F [-30 C] |
| TENSILE STRENGTH PSI: | 1500 PSI |
| DIELECTRIC STRENGTH, V./mil: | 500 |
| U.L. RATING: | V0 |

DO NOT SCALE

| | | | |
|---|---------|---|-------------------|
|  | | VTE Incorporated 5437 Robinson Road, P.O. Box 790 Pellston, Michigan 49769 Telephone: 1-800-527-9256, 231-539-8000 FAX: 231-539-0914 | |
| | | REF: | DATE: |
| | 4-13-98 | CHK'D BY: JC | .1 LBS. / 46.4 G. |
| TITLE: ANDERSON/SME BATTERY CHARGER CONNECTOR COVER | | | |
| MATERIAL: PVC | | PART NO. | |
| COLOR: BLACK | | 831N0F14 | |
| DRG CLASS REV D | | | |