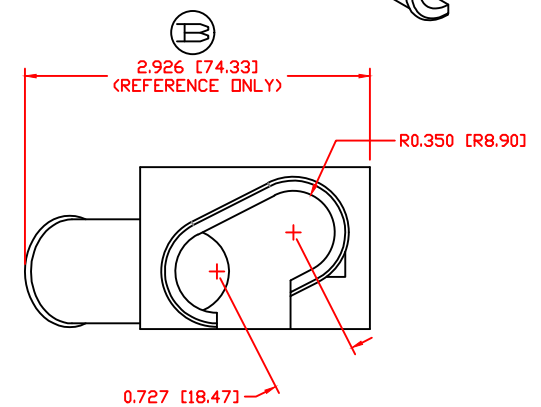
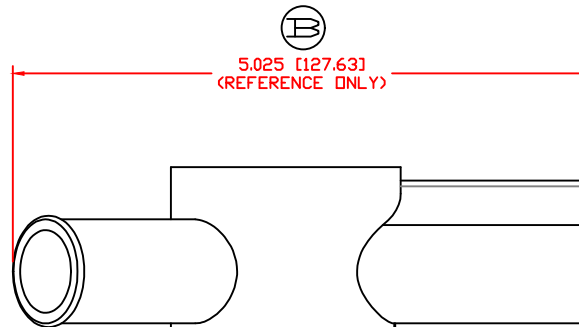
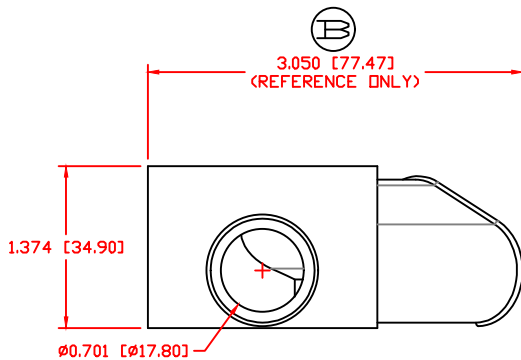
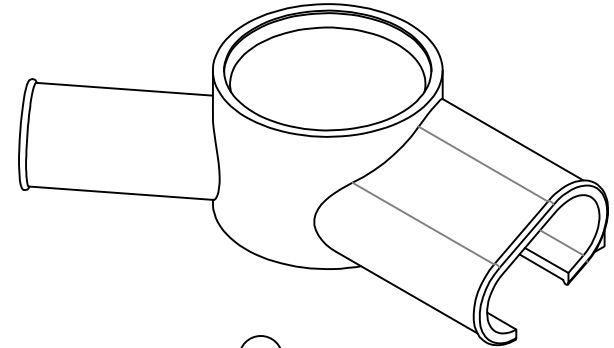
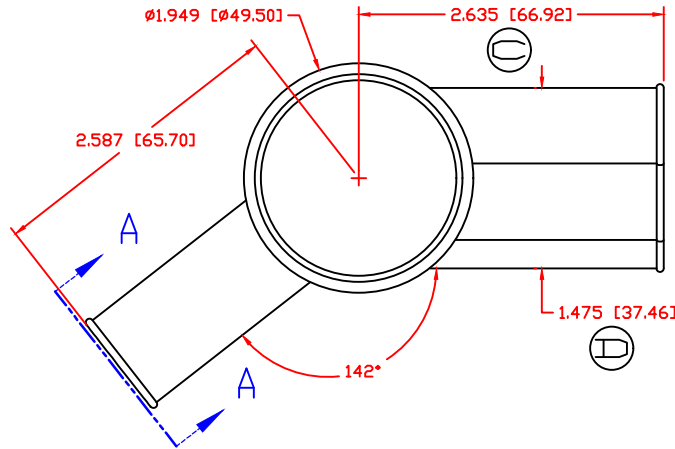


THE INFORMATION CONTAINED IN THIS DRAWING IS THE SOLE PROPERTY OF VTE INCORPORATED. ANY REPRODUCTION IN PART OR WHOLE WITHOUT THE WRITTEN PERMISSION OF VTE INCORPORATED IS PROHIBITED. VTE MAKES NO WARRANTY, EXPRESSED OR IMPLIED, AS TO THE SUITABILITY OF A PRODUCT FOR ANY INTENDED USE. THE CUSTOMER SHALL BEAR THE SOLE RESPONSIBILITY OF DETERMINING THE SUITABILITY OF ANY VTE PRODUCT FOR ITS END USE.

LTR.	REVISIONS	DATE	INT.
A	REDRAWN AND UPDATED	9-15-17	RAS
B	UPDATED DIMENSIONS AND ADDED "REFERENCE ONLY"	11-21-18	RAS
C	UPDATED DIMENSION FROM 2.587 [65.71]	11-21-18	RAS
D	UPDATED DIMENSIONS FROM 1.530 [38.86]	11-21-18	RAS




VIEW A-A
52.00°

TYPICAL WALL THICKNESS .080 [2.03]

SCALE FACTOR : NONE
ALL DIMENSIONS GIVEN AS: In [mm]
TOLERANCES UNLESS OTHERWISE SPECIFIED :
MOLDED PARTS: ±.030" [±0.8mm]

MATERIAL PART NO:	1101650114
MATERIAL:	PVC
VENDOR PART NO:	9812-65-BLACK
SHORE DUROMETER:	"A" 10 SEC. 65
SPECIFIC GRAVITY:	1.34
ULT. ELONGATION %:	400
MELTING TEMP:	315-335 F [157-168 C]
BRITTLE TEMP:	-54 F [-48 C]
TENSILE STRENGTH PSI:	1550 PSI
DIELECTRIC STRENGTH, V./mil:	453
U.L. RATING:	V2

		VTE Incorporated 5437 Robinson Road, P.O. Box 790 Pellston, Michigan 49769 Telephone: 1-800-527-9256, 231-539-8000 FAX: 231-539-0914	
		REF: CUSTOMER DIMS	DATE: 9-15-17
TITLE: BATTERY CABLE BOOT		CHK'D BY: PJK	
MATERIAL: PVC	DRG CLASS: REV D	PART NO. 955N9V14	
COLOR: BLACK			