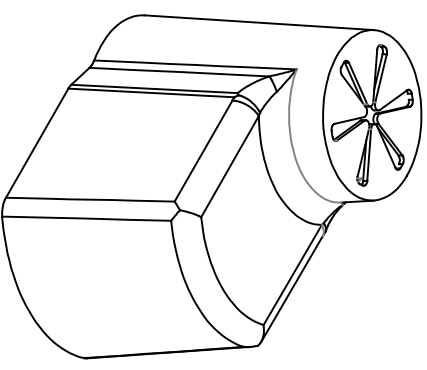
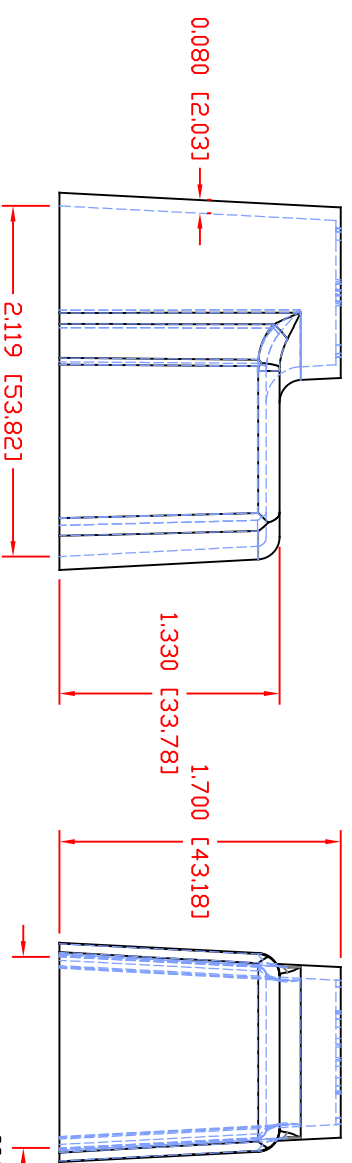
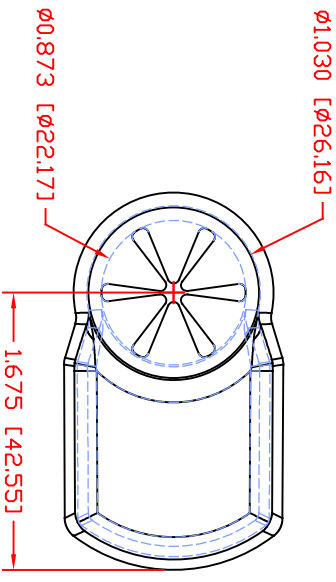
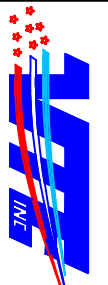


THE INFORMATION CONTAINED IN THIS DRAWING IS THE SOLE PROPERTY OF VTE INCORPORATED. ANY REPRODUCTION IN PART OR WHOLE WITHOUT THE WRITTEN PERMISSION OF VTE INCORPORATED IS PROHIBITED. VTE MAKES NO WARRANTY, EXPRESSED OR IMPLIED, AS TO THE SUITABILITY OF A PRODUCT FOR ANY INTENDED USE. THE CUSTOMER SHALL BEAR THE SOLE RESPONSIBILITY OF DETERMINING THE SUITABILITY OF ANY VTE PRODUCT FOR ITS END USE.



LTR.	REVISIONS	DATE	INT.
1	REWORK AND UPDATED (ORIGINAL DRAWING 7-25-14)	06-17-19	RAS

SCALE FACTOR : NONE
 ALL DIMENSIONS GIVEN AS: In [mm]
 TOLERANCES UNLESS OTHERWISE SPECIFIED :
 MOLDED PARTS: ±.030" [±0.8mm]
 ALL ANGLES ARE ± 1 DEGREE



VTE Incorporated
 5437 Robinson Road, P.O. Box 790
 Pellston, Michigan 49769
 Telephone: 1-800-527-9256, 231-539-8000
 FAX: 231-539-0914

MATERIAL PART NO: 1101650114
 MATERIAL: PVC
 VENDOR PART NO: 9812-65-BLACK
 SHORE DUREMETER: "A" 10 SEC. 65
 SPECIFIC GRAVITY: 1.34
 ULT. ELONGATION %: 400
 MELTING TEMP: 315-335 F [157-168 C]
 BRITTLE TEMP: -54 F [-48 C]
 TENSILE STRENGTH PSI: 1550 PSI
 DIELECTRIC STRENGTH, V./mil: 453
 U.L. RATING: V2

REF:	DATE:	DRN BY:	RAS	WEIGHT:
CUSTOMER DIMS	6-17-19	CHK'D BY:	PAK	
TITLE: BATTERY TERMINAL INSULATOR				
MATERIAL:	PVC	PART NO: 968N9V14		
COLOR:	BLACK	DRG CLASS	REV A	