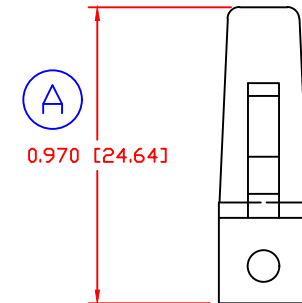
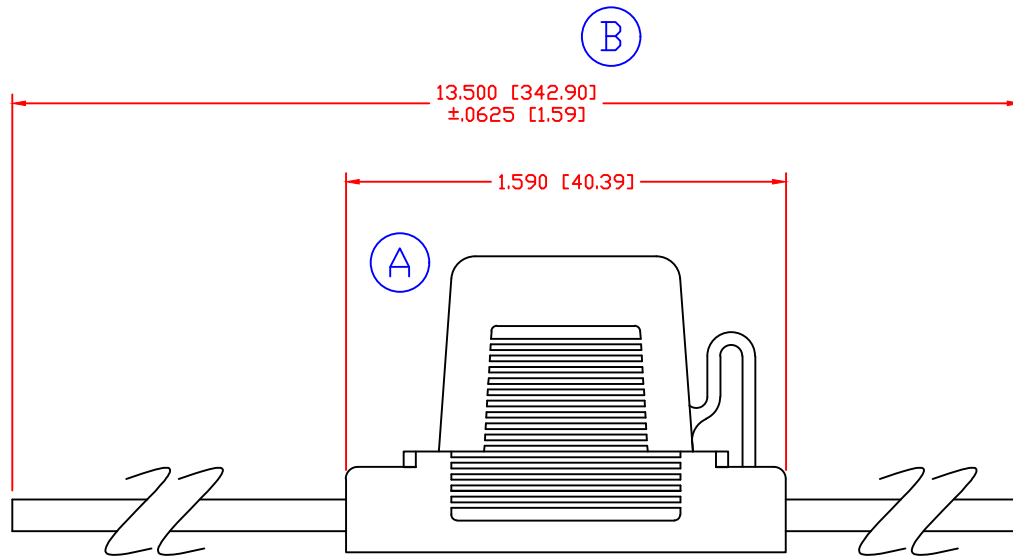
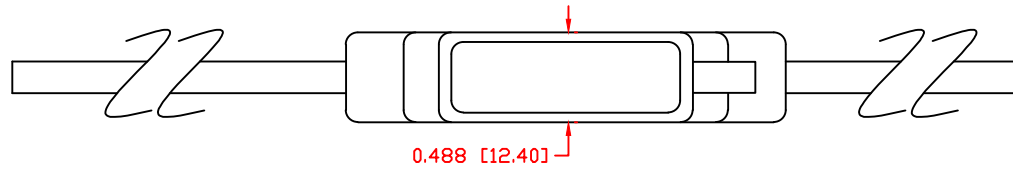


THE INFORMATION CONTAINED IN THIS DRAWING IS THE SOLE PROPERTY OF VTE INCORPORATED. ANY REPRODUCTION IN PART OR WHOLE WITHOUT THE WRITTEN PERMISSION OF VTE INCORPORATED IS PROHIBITED. VTE MAKES NO WARRANTY, EXPRESSED OR IMPLIED, AS TO THE SUITABILITY OF A PRODUCT FOR ANY INTENDED USE. THE CUSTOMER SHALL BEAR THE SOLE RESPONSIBILITY OF DETERMINING THE SUITABILITY OF ANY VTE PRODUCT FOR ITS END USE.

LTR.	REVISIONS	DATE	INT.
A	REVISED TO AGREE WITH PARTS AS MFG'D.	27MAY09	BRH
B	UPDATED DIMENSION FROM 12.000" TO 13.500"	18OCT16	RAS
C	CHANGED FROM BARE COPPER TO TIN COATED COPPER	14JUN17	RAS



ALL DIMENSIONS GIVEN AS: In [mm]
 MOLDED PARTS: ±.030" [±0.8mm]
 HARDWARE ITEMS: ±.010" [±0.25mm]

THIS ITEM IS RoHS COMPLIANT.

Wire Leads: 12 Ga.

(C) " Tin Coated" Stranded Copper
 PVC Insulated, Color Red

NOTE:

NOT SUITABLE FOR CONTINUOUS
 DUTY OVER 40 AMPS @12VDC

DO NOT SCALE



VTE Incorporated
 5437 Robinson Road, P.O. Box 790
 Pellston, Michigan 49769
 Telephone: 1-800-527-9256, 231-539-8000
 FAX: 231-539-0914

REF:	DATE:	DRN BY:	WEIGHT:
CUSTOMER DIMS	01SEP06	BRH	
TITLE:		CHK'D BY:	
ATO FUSEHOLDER		BRH	
MATERIAL:		PART NO.	
COLOR:	DRG CLASS	AFH933812R	
	REV C		