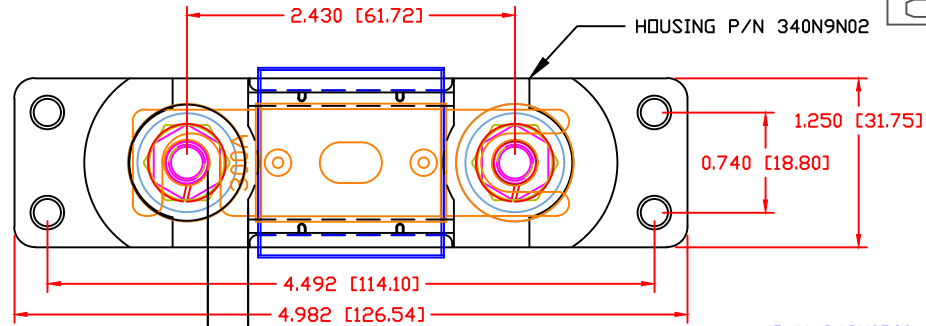
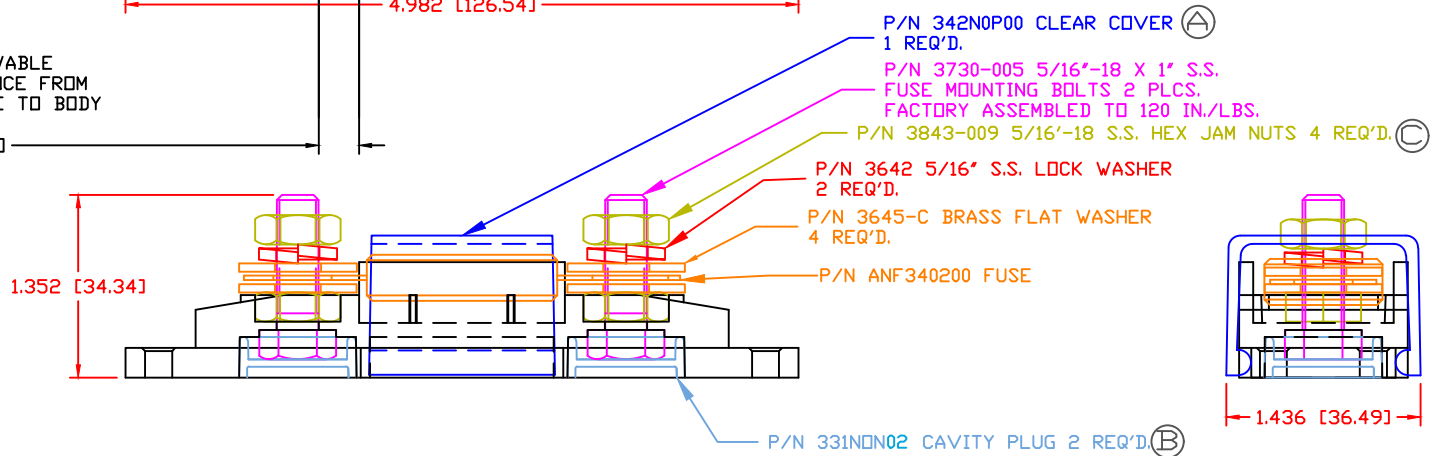


THE INFORMATION CONTAINED IN THIS DRAWING IS THE SOLE PROPERTY OF VTE INCORPORATED. ANY REPRODUCTION IN PART OR WHOLE WITHOUT THE WRITTEN PERMISSION OF VTE INCORPORATED IS PROHIBITED.

LTR.	REVISIONS	DATE	INT.
A	PN 342NOV00 CHANGED TO PN 342NOP00	06-20-16	MDL
B	PN 331NOV** CHANGED TO 331NON**	08-08-16	MDL
C	REPLACED P/N 3843-001 WITH P/N 3843-009	16 JAN 17	RAS



MAXIMUM ALLOWABLE  
TERMINAL CLEARANCE FROM  
EDGE OF STUD HOLE TO BODY  
OF FUSE  
0.299 [7.58]




TOLERANCE UNLESS OTHERWISE SPECIFIED:  $\pm 0.30^\circ / \pm 0.8\text{mm}$   
RADIAL DIAMETERS TO BE MEASURED OVER MANDRELS,  
RING GAGES OR PIN GAGES OF SUITABLE SIZE

PACK ALSO INCLUDES:  
INSULATORS

BASE MATERIAL:  
BASE MATERIAL U.L. RATING:  
BASE COLOR:

2-405N9V02  
1-ANF340200 FUSE  
1-LABELED WHITE CARTON  
GLASS-REINFORCED NYLON  
94 HB  
RED



**VTE Incorporated**  
5437 Robinson Road, P.O. Box 790  
Pellston, Michigan 49769  
Telephone: 1-800-527-9256, 231-539-8000  
FAX: 231-539-0914

REF:	DATE: 10NOV04	DRN BY: BRH CHK'D BY: BRH	WEIGHT:
TITLE: ANL TYPE FUSE HOLDER			SCALE:
MATERIAL:		PART NO.	
COLOR: RED	DRG CLASS REV C	ANB720002P	