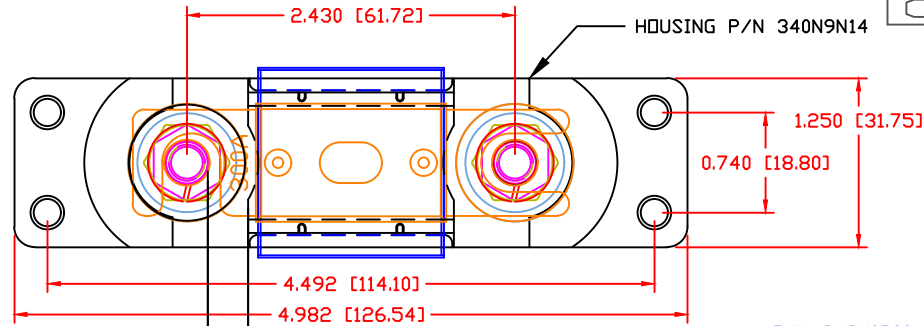
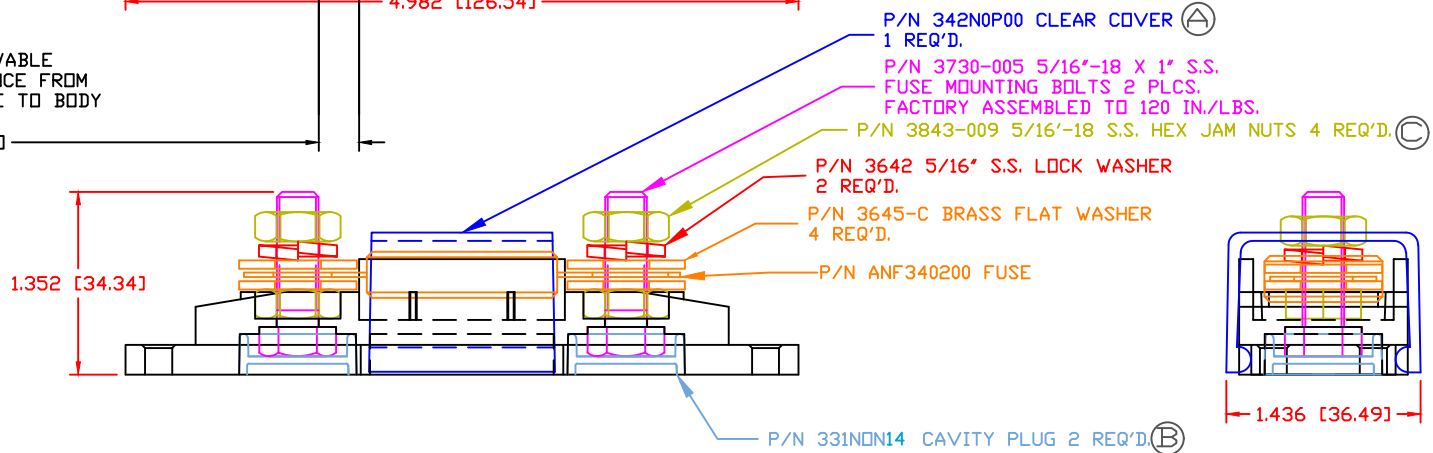


THE INFORMATION CONTAINED IN THIS DRAWING IS THE SOLE PROPERTY OF VTE INCORPORATED. ANY REPRODUCTION IN PART OR WHOLE WITHOUT THE WRITTEN PERMISSION OF VTE INCORPORATED IS PROHIBITED.

LTR.	REVISIONS	DATE	INT.
A	PN 342NOV00 CHANGED TO PN 342NOP00	06-20-16	MDL
B	PN 331NOV** CHANGED TO 331NON**	08-08-16	MDL
C	REPLACED P/N 3843-001 WITH P/N 3843-009	16 JAN17	RAS



MAXIMUM ALLOWABLE
TERMINAL CLEARANCE FROM
EDGE OF STUD HOLE TO BODY
OF FUSE
0.299 [7.58]



TOLERANCE UNLESS OTHERWISE SPECIFIED: ±0.030"/±0.8mm
 RADIAL DIAMETERS TO BE MEASURED OVER MANDRELS,
 RING GAGES OR PIN GAGES OF SUITABLE SIZE

PACK ALSO INCLUDES:
INSULATORS

BASE MATERIAL:
BASE MATERIAL U.L. RATING:
BASE COLOR:

2-405N9V14
 1-ANF340200 FUSE
 1-LABELED WHITE CARTON
 GLASS-REINFORCED NYLON
 94 HB
 BLACK

VTE Incorporated
 5437 Robinson Road, P.O. Box 790
 Pellston, Michigan 49769
 Telephone: 1-800-527-9256, 231-539-8000
 FAX: 231-539-0914

REF:	DATE: 10NOV04	DRN BY: BRH CHK'D BY: BRH	WEIGHT:
TITLE: ANL TYPE FUSE HOLDER			SCALE:
MATERIAL:		PART NO.	
COLOR: BLACK	DRG CLASS: REV C	ANB720014P	