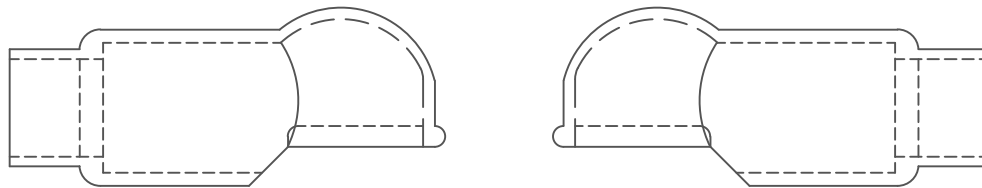
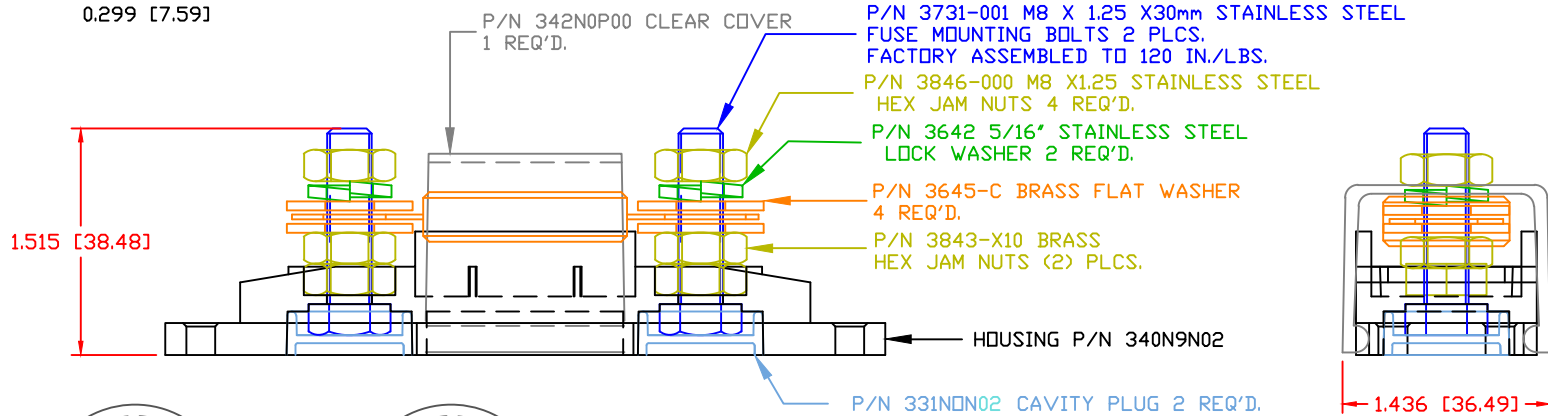
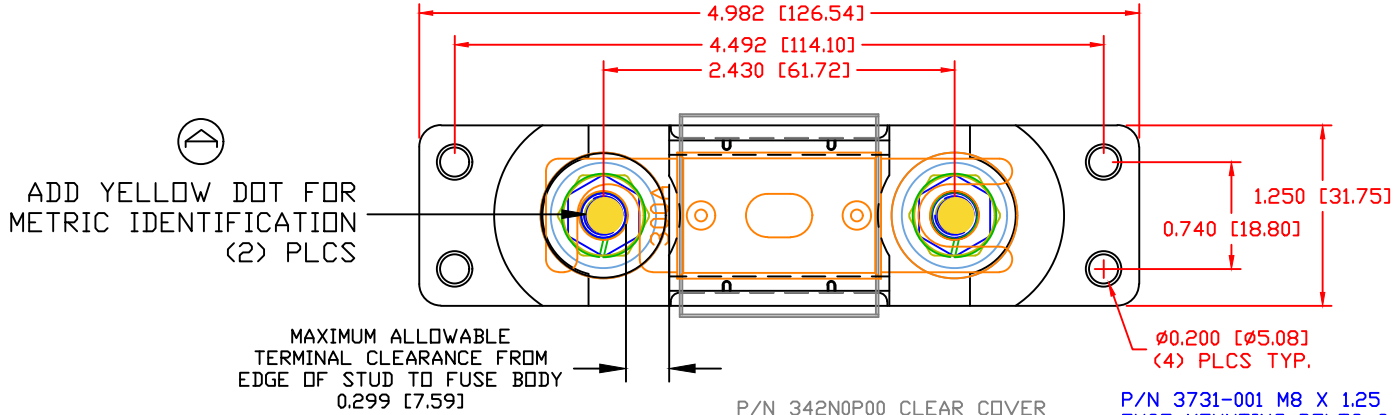


THE INFORMATION CONTAINED IN THIS DRAWING IS THE SOLE PROPERTY OF VTE INCORPORATED. ANY REPRODUCTION IN PART OR WHOLE WITHOUT THE WRITTEN PERMISSION OF VTE INCORPORATED IS PROHIBITED. VTE MAKES NO WARRANTY, EXPRESSED OR IMPLIED, AS TO THE SUITABILITY OF A PRODUCT FOR ANY INTENDED USE. THE CUSTOMER SHALL BEAR THE SOLE RESPONSIBILITY OF DETERMINING THE SUITABILITY OF ANY VTE PRODUCT FOR ITS END USE.

LTR.	REVISIONS	DATE	INT.
Ⓐ	ADDED YELLOW DOT IDENTIFIER FOR METRIC	1-08-18	RAS
Ⓑ	ADDED RECOMMENDED TORQUE VALUE	1-08-18	RAS




SCALE FACTOR : NONE
ALL DIMENSIONS GIVEN AS: in [mm]
TOLERANCES UNLESS OTHERWISE SPECIFIED :
MOLDED PARTS: ±.030" [±0.8mm]
HARDWARE ITEMS: ±.010" [±0.25mm]

MATERIAL PART NO:
MATERIAL:
VENDOR PART NO:
SPECIFIC GRAVITY:
MELTING TEMP:
U.L. RATING:

7111210502
GLASS FILLED NYLON
DURETHAN BKV 15 H 3.0 000000
1.23
415 F [213 C]
UL 94 HB

FUSE NOT INCLUDED
ASSEMBLY INCLUDES: 2-487N9V02 INSULATORS
MAXIMUM RECOMMENDED AMPERAGE: 300 AMPS @ 12 VDC
TORQUE: M8 X 1.25 NUT MAXIMUM RECOMMENDED TORQUE: 144 IN./LBS. (16.26 Nm)



		VTE Incorporated 5437 Robinson Road, P.O. Box 790 Pellston, Michigan 49769 Telephone: 1-800-527-9256, 231-539-8000 FAX: 231-539-0914	
		REF: CUSTOMER DIMS	DATE: 12-05-16
TITLE: ANL TYPE FUSE HOLDER		CHK'D BY: RAS	
MATERIAL: GLASS FILLED NYLON	PART NO. ANB740M0N02		
COLOR: RED	DRG CLASS: REV B		