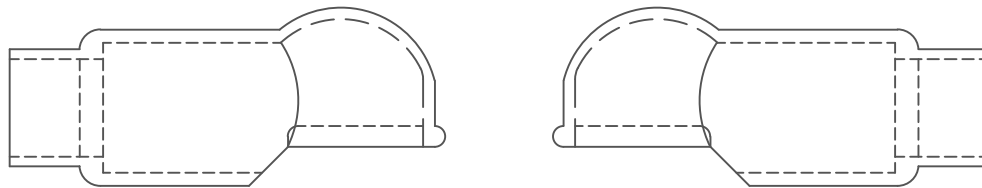
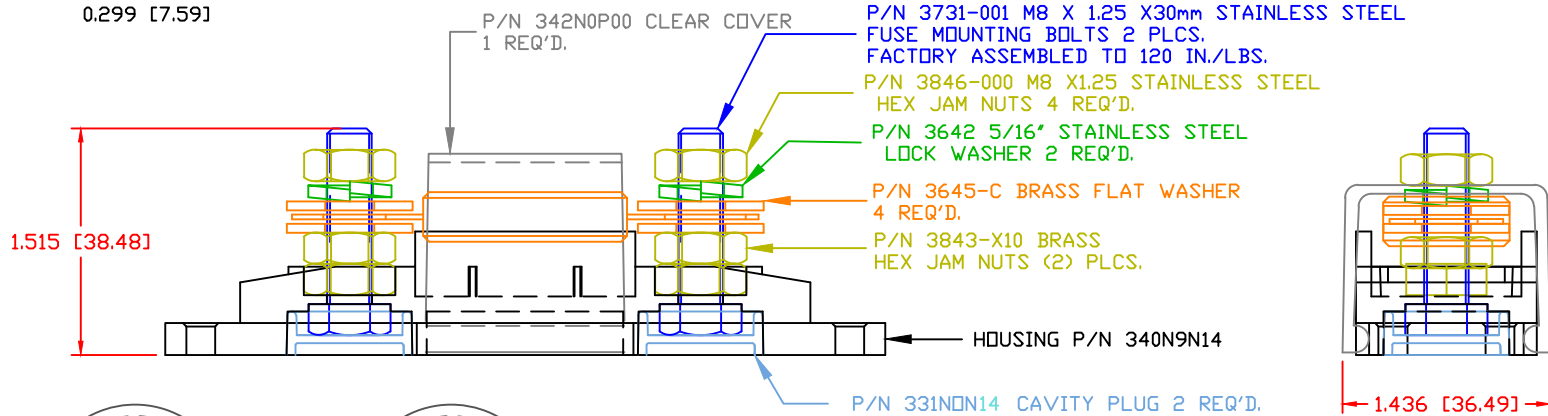
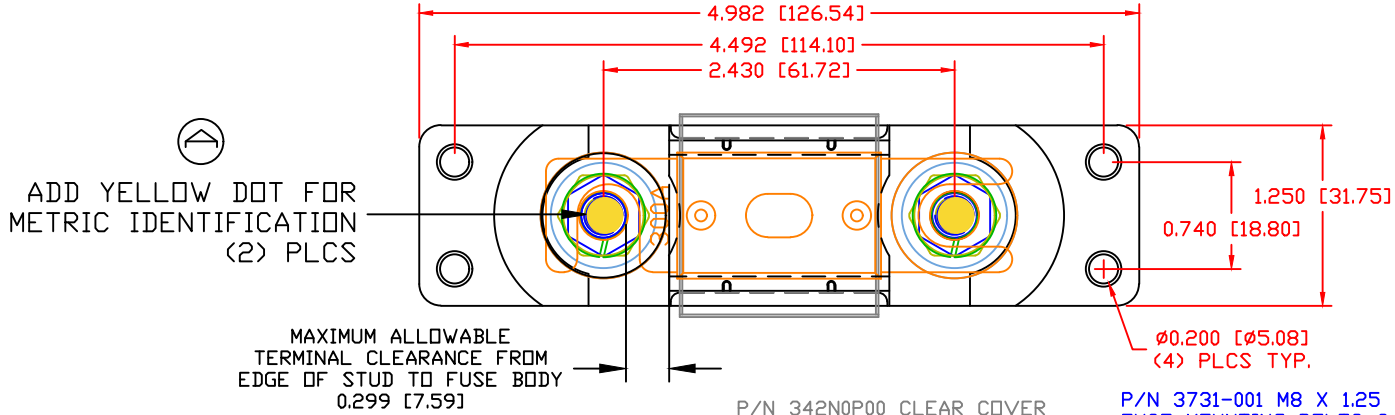


THE INFORMATION CONTAINED IN THIS DRAWING IS THE SOLE PROPERTY OF VTE INCORPORATED. ANY REPRODUCTION IN PART OR WHOLE WITHOUT THE WRITTEN PERMISSION OF VTE INCORPORATED IS PROHIBITED. VTE MAKES NO WARRANTY, EXPRESSED OR IMPLIED, AS TO THE SUITABILITY OF A PRODUCT FOR ANY INTENDED USE. THE CUSTOMER SHALL BEAR THE SOLE RESPONSIBILITY OF DETERMINING THE SUITABILITY OF ANY VTE PRODUCT FOR ITS END USE.

| LTR. | REVISIONS | DATE | INT. |
|------|--|---------|------|
| Ⓐ | ADDED YELLOW DOT IDENTIFIER FOR METRIC | 1-08-18 | RAS |
| Ⓑ | ADDED RECOMMENDED TORQUE VALUE | 1-08-18 | RAS |



SCALE FACTOR : NONE
ALL DIMENSIONS GIVEN AS: in [mm]
TOLERANCES UNLESS OTHERWISE SPECIFIED :
MOLDED PARTS: ±.030" [±0.8mm]
HARDWARE ITEMS: ±.010" [±0.25mm]

MATERIAL PART NO:
MATERIAL:
VENDOR PART NO:
SPECIFIC GRAVITY:
MELTING TEMP:
U.L. RATING:

1111210514UL
GLASS FILLED NYLON
DURETHAN BKV 15 H 2.0 901510
1.23
415 F [213 C]
UL 94 HB

FUSE NOT INCLUDED

ASSEMBLY INCLUDES: 2-487N9V14 INSULATORS

MAXIMUM RECOMMENDED AMPERAGE: 300 AMPS @ 12 VDC

TORQUE: M8 X 1.25 NUT MAXIMUM RECOMMENDED TORQUE: 144 IN./LBS. (16.26 Nm)

VTE Incorporated
5437 Robinson Road, P.O. Box 790
Pellston, Michigan 49769
Telephone: 1-800-527-9256, 231-539-8000
FAX: 231-539-0914

| | | | |
|------------------------------|----------------------|---------------|---------|
| REF: CUSTOMER DIMS | DATE: 12-05-16 | DRN BY: RAS | WEIGHT: |
| TITLE: ANL TYPE FUSE HOLDER | | CHK'D BY: RAS | |
| MATERIAL: GLASS FILLED NYLON | PART NO. ANB740M0N14 | | |
| COLOR: BLACK | DRG CLASS: REV B | | |