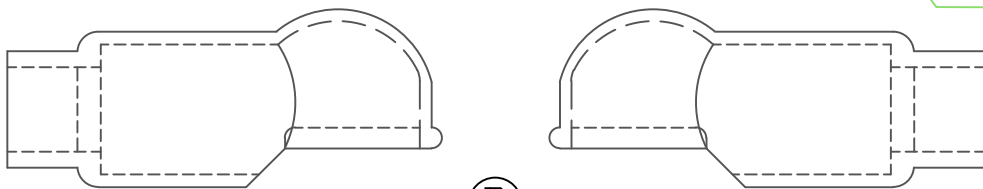
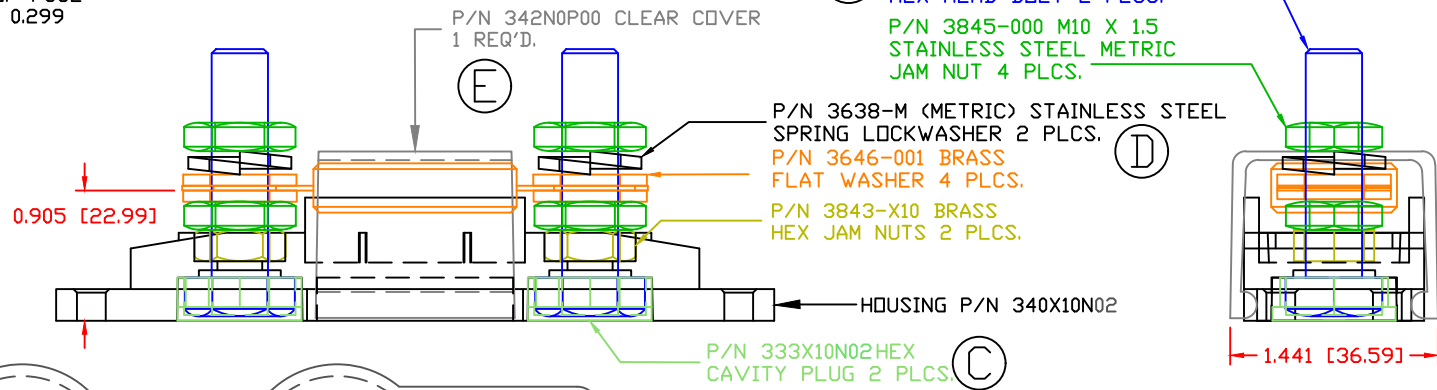
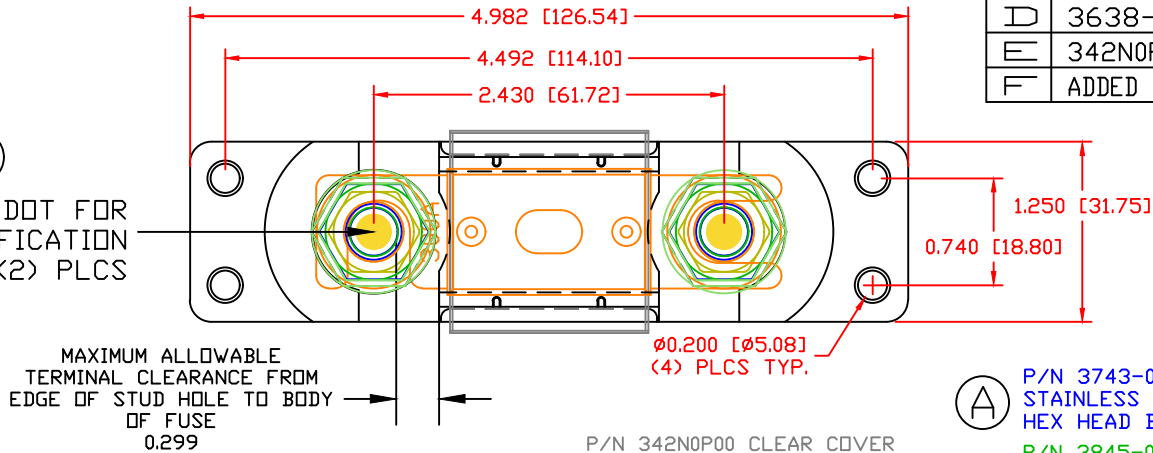


THE INFORMATION CONTAINED IN THIS DRAWING IS THE SOLE PROPERTY OF VTE INCORPORATED. ANY REPRODUCTION IN PART OR WHOLE WITHOUT THE WRITTEN PERMISSION OF VTE INCORPORATED IS PROHIBITED. VTE MAKES NO WARRANTY, EXPRESSED OR IMPLIED, AS TO THE SUITABILITY OF A PRODUCT FOR ANY INTENDED USE. THE CUSTOMER SHALL BEAR THE SOLE RESPONSIBILITY OF DETERMINING THE SUITABILITY OF ANY VTE PRODUCT FOR ITS END USE.

LTR.	REVISIONS	DATE	INT.
A	3743-001 WAS 3743-000	3-01-07	BRH
B	487N9V** WAS 487N8V**	3-14-07	BRH
C	333X10N** WAS 333X10V**	3-20-07	BRH
D	3638-M WAS 3638-000	3-02-09	BRH
E	342N0P00 WAS 342N0V00	7-30-15	RAS
F	ADDED YELLOW DOT CALLOUT	6-19-17	JMM

(F) ADD YELLOW DOT FOR METRIC IDENTIFICATION (2) PLCS




(B) FUSE NOT INCLUDED  
ASSEMBLY INCLUDES: 2-487N9V02 INSULATORS

MATERIAL PART NO: 7111210502  
MATERIAL: GLASS FILLED NYLON  
VENDOR PART NO: NYLON N2015 HL NAT  
SPECIFIC GRAVITY: 1.23  
MELTING TEMP: 515 F [268 C]  
U.L. RATING: UL 94 HB

MAXIMUM RECOMMENDED AMPERAGE: 300 AMPS @ 12 VDC

SCALE FACTOR : NONE  
ALL DIMENSIONS GIVEN AS: in [mm]  
TOLERANCES UNLESS OTHERWISE SPECIFIED :  
MOLDED PARTS:  $\pm 0.030^{\circ}$  [ $\pm 0.8\text{mm}$ ]  
HARDWARE ITEMS:  $\pm 0.010^{\circ}$  [ $\pm 0.25\text{mm}$ ]



VTE Incorporated  
5437 Robinson Road, P.O. Box 790  
Pellston, Michigan 49769  
Telephone: 1-800-527-9256, 231-539-8000  
FAX: 231-539-0914

REF: CUSTOMER DIMS	DATE: 12-10-04	DRN BY: BRH	WEIGHT:
		CHK'D BY: BRH	
TITLE: ANL TYPE FUSE HOLDER			
MATERIAL: GLASS FILLED NYLON		PART NO.	
COLOR: RED	DRG CLASS: REV F	ANB740M10N02	