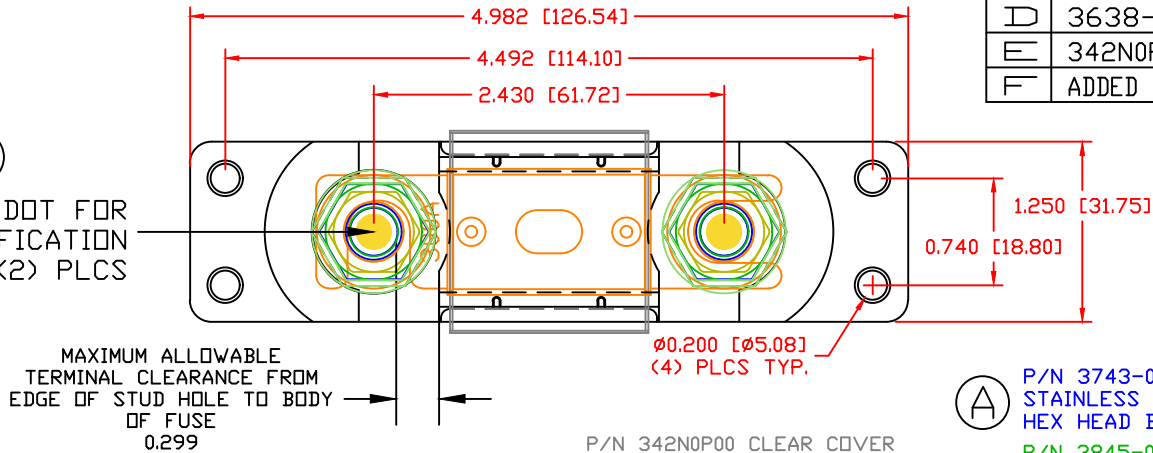


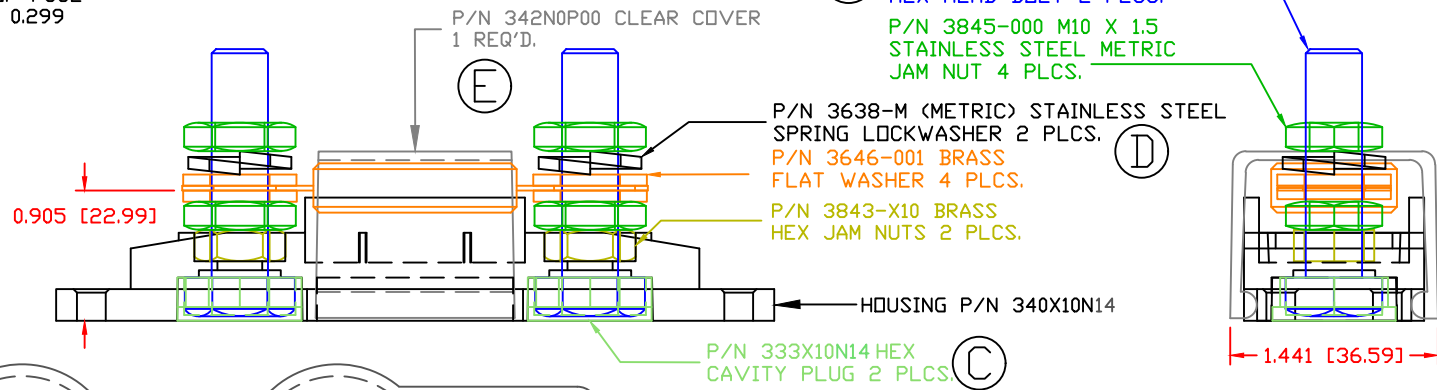
THE INFORMATION CONTAINED IN THIS DRAWING IS THE SOLE PROPERTY OF VTE INCORPORATED. ANY REPRODUCTION IN PART OR WHOLE WITHOUT THE WRITTEN PERMISSION OF VTE INCORPORATED IS PROHIBITED. VTE MAKES NO WARRANTY, EXPRESSED OR IMPLIED, AS TO THE SUITABILITY OF A PRODUCT FOR ANY INTENDED USE. THE CUSTOMER SHALL BEAR THE SOLE RESPONSIBILITY OF DETERMINING THE SUITABILITY OF ANY VTE PRODUCT FOR ITS END USE.

LTR.	REVISIONS	DATE	INT.
A	3743-001 WAS 3743-000	3-01-07	BRH
B	487N9V** WAS 487N8V**	3-14-07	BRH
C	333X10N** WAS 333X10V**	3-20-07	BRH
D	3638-M WAS 3638-000	3-02-09	BRH
E	342N0P00 WAS 342N0V00	7-30-15	RAS
F	ADDED YELLOW DOT CALLOUT	6-19-17	JMM

(F) ADD YELLOW DOT FOR METRIC IDENTIFICATION (2) PLCS



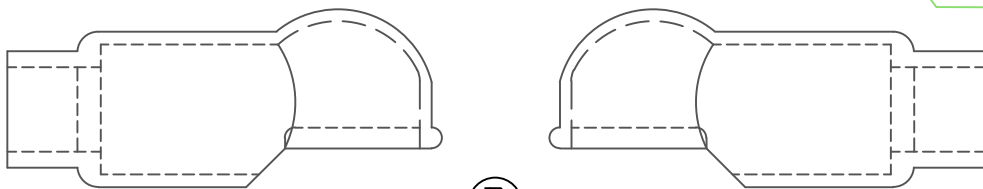
MAXIMUM ALLOWABLE TERMINAL CLEARANCE FROM EDGE OF STUD HOLE TO BODY OF FUSE
0.299



(A) P/N 3743-001 M10 X 1.5 X 40mm STAINLESS STEEL HEX HEAD BOLT 2 PLCS.
P/N 3845-000 M10 X 1.5 STAINLESS STEEL METRIC JAM NUT 4 PLCS.

P/N 3638-M (METRIC) STAINLESS STEEL SPRING LOCKWASHER 2 PLCS.
P/N 3646-001 BRASS FLAT WASHER 4 PLCS.
P/N 3843-X10 BRASS HEX JAM NUTS 2 PLCS.

P/N 333X10N14 HEX CAVITY PLUG 2 PLCS. (C)



(B) FUSE NOT INCLUDED
ASSEMBLY INCLUDES: 2-487N9V14 INSULATORS

MATERIAL PART NO: 1111210514UL
MATERIAL: GLASS FILLED NYLON
VENDOR PART NO: NYLON N2015 HL BK
SPECIFIC GRAVITY: 1.23
MELTING TEMP: 515 F [268 C]
U.L. RATING: UL 94 HB

MAXIMUM RECOMMENDED AMPERAGE: 300 AMPS @ 12 VDC

SCALE FACTOR : NONE
ALL DIMENSIONS GIVEN AS: in [mm]
TOLERANCES UNLESS OTHERWISE SPECIFIED :
MOLDED PARTS: ±.030" [±0.8mm]
HARDWARE ITEMS: ±.010" [±0.25mm]

VTE Incorporated
5437 Robinson Road, P.O. Box 790
Pellston, Michigan 49769
Telephone: 1-800-527-9256, 231-539-8000
FAX: 231-539-0914

REF: CUSTOMER DIMS	DATE: 12-10-04	DRN BY: BRH	WEIGHT:
		CHK'D BY: BRH	
TITLE: ANL TYPE FUSE HOLDER			
MATERIAL: GLASS FILLED NYLON		PART NO. ANB740M10N14	
COLOR: BLACK	DRG CLASS: REV F		