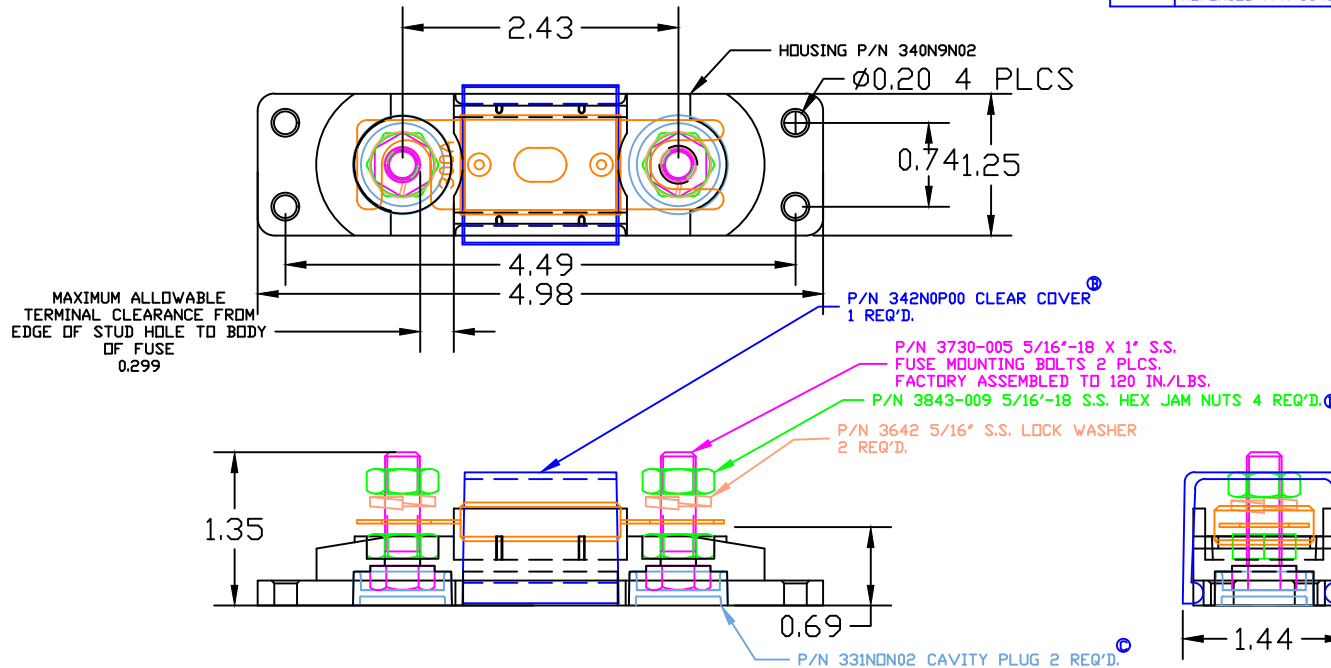


THE INFORMATION CONTAINED IN THIS DRAWING IS THE SOLE PROPERTY OF VTE INCORPORATED. ANY REPRODUCTION IN PART OR WHOLE WITHOUT THE WRITTEN PERMISSION OF VTE INCORPORATED IS PROHIBITED.


LTR.	REVISIONS	DATE	INT.
A	REM'D. P/N 3645-F, TO BE SUPPLIED BY CUST.	06-04-10	BRH
B	342N0P00 WAS 342N0V00	07-30-15	BRH
C	PN 331NOV** CHANGED TO PN 331NON**	08-05-16	MDL
D	REPLACED P/N 3843-001 WITH P/N 3843-009	16JAN17	RAS



DO NOT SCALE

TOLERANCE UNLESS OTHERWISE SPECIFIED: ±0.30"/±0.8mm  
 RADIAL DIAMETERS TO BE MEASURED OVER MANDRELS,  
 RING GAGES OR PIN GAGES OF SUITABLE SIZE

CUSTOMER SPECIFIC ITEM, NOT RETURNABLE  
 FUSE AND INSULATORS NOT INCLUDED  
 MAXIMUM RECOMMENDED AMPERAGE: 300 AMPS @ 12 VDC  
 BASE MATERIAL: GLASS-REINFORCED NYLON  
 BASE MATERIAL U.L. RATING: 94 HB  
 BASE COLOR: RED

		<b>VTE Incorporated</b> 5437 Robinson Road, P.O. Box 790 Pellston, Michigan 49769 Telephone: 1-800-527-9256, 231-539-8000 FAX: 231-539-0914	
		REF: *****	DATE: 19MAR10
TITLE: ANL TYPE FUSEHOLDER, CUSTOM FOR ZERO MOTORCYCLES			SCALE:
MATERIAL:		PART NO.	
COLOR: *****	DRG CLASS *****	ANB740N7N02X	