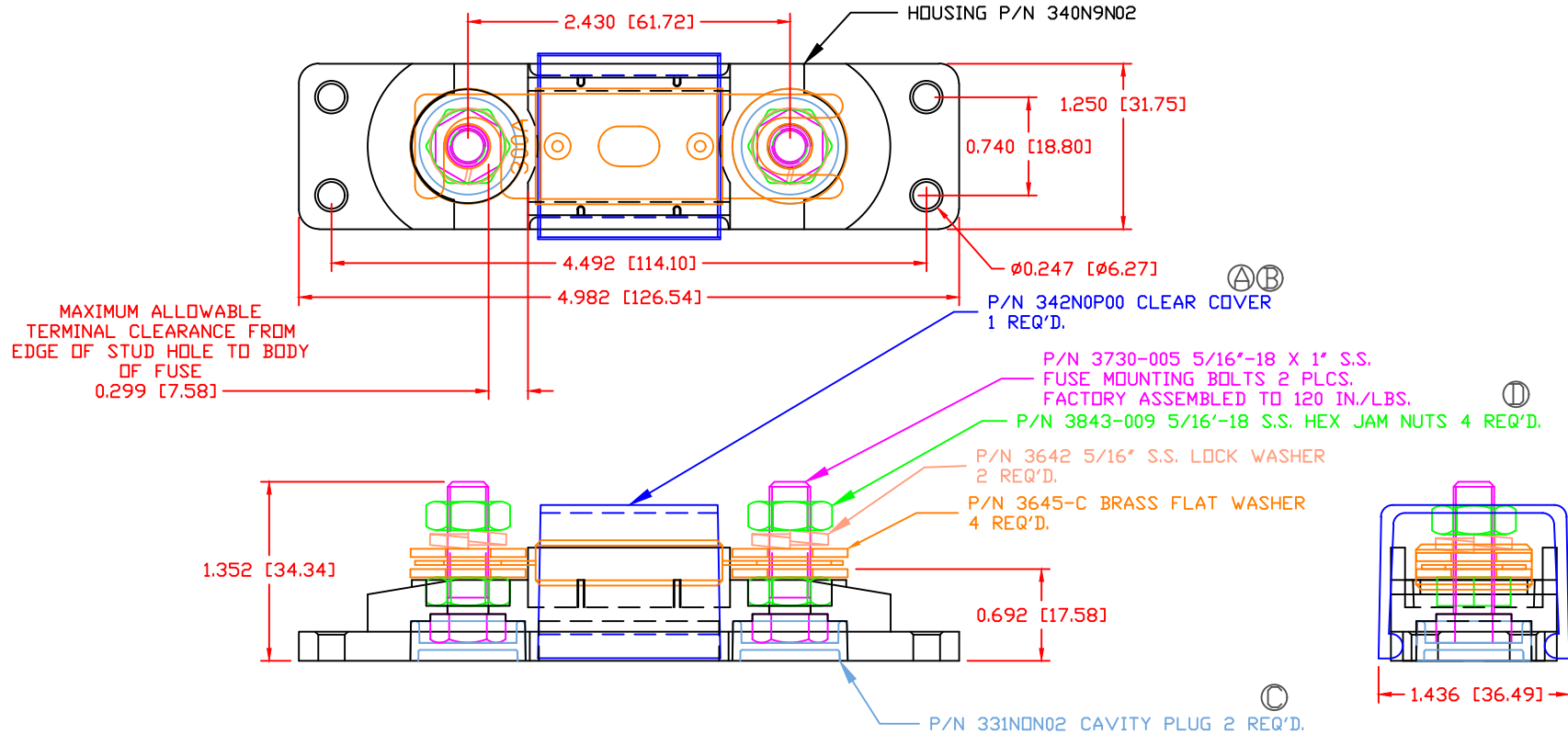


THE INFORMATION CONTAINED IN THIS DRAWING IS THE SOLE PROPERTY OF VTE INCORPORATED. ANY REPRODUCTION IN PART OR WHOLE WITHOUT THE WRITTEN PERMISSION OF VTE INCORPORATED IS PROHIBITED. VTE MAKES NO WARRANTY, EXPRESSED OR IMPLIED, AS TO THE SUITABILITY OF A PRODUCT FOR ANY INTENDED USE. THE CUSTOMER SHALL BEAR THE SOLE RESPONSIBILITY OF DETERMINING THE SUITABILITY OF ANY VTE PRODUCT FOR ITS END USE.

LTR.	REVISIONS	DATE	INT.
A	342NOV00 WAS 341NOV00	03-13-07	BRH
B	342NOP00 WAS 342NOV00	07-30-15	BRH
C	PN 331NOV** CHANGED TO PN 331NON**	08-05-16	MDL
D	REPLACED P/N 3843-001 WITH P/N 3843-009	16JAN17	RAS




SCALE FACTOR : NONE  
 ALL DIMENSIONS GIVEN AS: in [mm]  
 TOLERANCES UNLESS OTHERWISE SPECIFIED :  
 MOLDED PARTS: ±0.30" [±0.8mm]  
 HARDWARE ITEMS: ±0.10" [±0.25mm]

FUSE NOT INCLUDED

MATERIAL PART NO: 7111210502  
 MATERIAL: GLASS FILLED NYLON  
 HYLON N2015 HL NAT  
 VENDOR PART NO: 1.23  
 SPECIFIC GRAVITY: 515 F [268 C]  
 MELTING TEMP: UL 94 HB  
 U.L. RATING:

MAXIMUM RECOMMENDED AMPERAGE: 300 AMPS @ 12 VDC

		<b>VTE Incorporated</b> 5437 Robinson Road, P.O. Box 790 Pellston, Michigan 49769 Telephone: 1-800-527-9256, 231-539-8000 FAX: 231-539-0914	
		REF:	DATE: 11-10-04
TITLE: ANL TYPE FUSE HOLDER W/D INSULATORS			SCALE:
MATERIAL:		PART NO.	
COLOR: RED	DRG CLASS: REV D	ANB740X0N02	