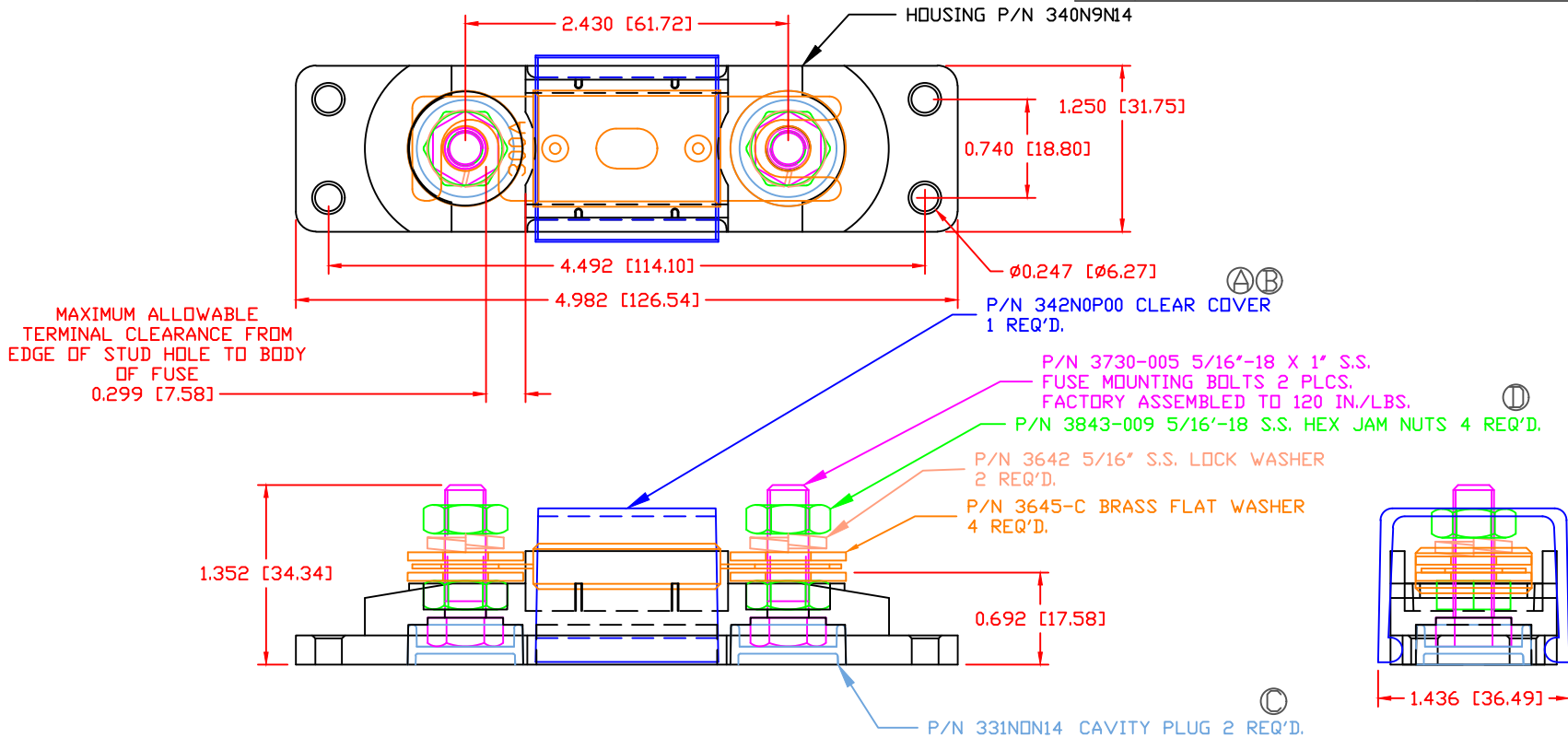


THE INFORMATION CONTAINED IN THIS DRAWING IS THE SOLE PROPERTY OF VTE INCORPORATED. ANY REPRODUCTION IN PART OR WHOLE WITHOUT THE WRITTEN PERMISSION OF VTE INCORPORATED IS PROHIBITED. VTE MAKES NO WARRANTY, EXPRESSED OR IMPLIED, AS TO THE SUITABILITY OF A PRODUCT FOR ANY INTENDED USE. THE CUSTOMER SHALL BEAR THE SOLE RESPONSIBILITY OF DETERMINING THE SUITABILITY OF ANY VTE PRODUCT FOR ITS END USE.

LTR.	REVISIONS	DATE	INT.
A	342NOV00 WAS 341NOV00	03-13-07	BRH
B	342NOP00 WAS 342NOV00	07-30-15	BRH
C	PN 331NOV** CHANGED TO PN 331NON**	08-05-16	MDL
D	REPLACED P/N 3843-001 WITH P/N 3843-009	16JAN17	RAS



SCALE FACTOR : NONE
 ALL DIMENSIONS GIVEN AS: in [mm]
 TOLERANCES UNLESS OTHERWISE SPECIFIED :
 MOLDED PARTS: ±0.30" [±0.8mm]
 HARDWARE ITEMS: ±0.10" [±0.25mm]

FUSE NOT INCLUDED

MATERIAL PART NO: 111210514UL
 MATERIAL: GLASS FILLED NYLON
 VENDOR PART NO: HYLON N2015 HL BK
 SPECIFIC GRAVITY: 1.23
 MELTING TEMP: 515 F [268 C]
 U.L. RATING: UL 94 HB

MAXIMUM RECOMMENDED AMPERAGE: 300 AMPS @ 12 VDC

VTE Incorporated
 5437 Robinson Road, P.O. Box 790
 Pellston, Michigan 49769
 Telephone: 1-800-527-9256, 231-539-8000
 FAX: 231-539-0914

REF:	DATE: 11-10-04	DRN BY: BRH	WEIGHT:
TITLE: ANL TYPE FUSE HOLDER W/D INSULATORS			SCALE:
MATERIAL: BLACK		PART NO. ANB740X0N14	
COLOR: BLACK		DRG CLASS: REV D	