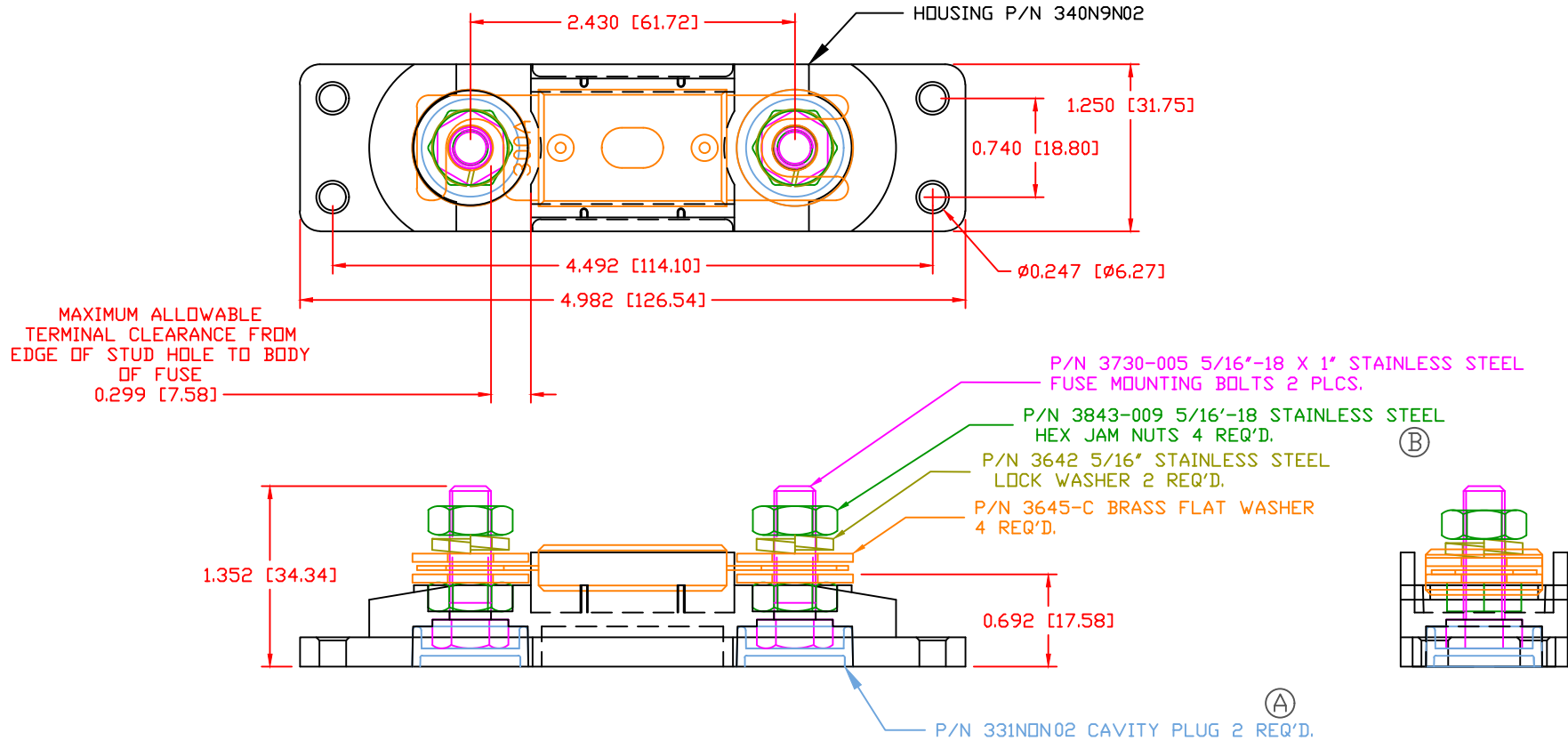


THE INFORMATION CONTAINED IN THIS DRAWING IS THE SOLE PROPERTY OF VTE INCORPORATED. ANY REPRODUCTION IN PART OR WHOLE WITHOUT THE WRITTEN PERMISSION OF VTE INCORPORATED IS PROHIBITED. VTE MAKES NO WARRANTY, EXPRESSED OR IMPLIED, AS TO THE SUITABILITY OF A PRODUCT FOR ANY INTENDED USE. THE CUSTOMER SHALL BEAR THE SOLE RESPONSIBILITY OF DETERMINING THE SUITABILITY OF ANY VTE PRODUCT FOR ITS END USE.

LTR.	REVISIONS	DATE	INT.
A	PN 331NOV** CHANGED TO 331NON**	08-08-16	MDL
B	REPLACED P/N 3843-001 WITH P/N 3843-009	01-16-17	RAS




SCALE FACTOR : NONE  
 ALL DIMENSIONS GIVEN AS: in [mm]  
 TOLERANCES UNLESS OTHERWISE SPECIFIED :  
 MOLDED PARTS: ±0.30" [±0.8mm]  
 HARDWARE ITEMS: ±0.10" [±0.25mm]

FUSE NOT INCLUDED

MATERIAL PART NO: 7111210502  
 MATERIAL: GLASS FILLED NYLON  
 VENDOR PART NO: HYLON N2015 HL NAT  
 SPECIFIC GRAVITY: 1.23  
 MELTING TEMP: 515 F [268 C]  
 U.L. RATING: UL 94 HB

MAXIMUM RECOMMENDED AMPERAGE: 300 AMPS @ 12 VDC



**VTE Incorporated**  
 5437 Robinson Road, P.O. Box 790  
 Pellston, Michigan 49769  
 Telephone: 1-800-527-9256, 231-539-8000  
 FAX: 231-539-0914

REF:	DATE: 7-13-15	DRN BY: BRH	WEIGHT:
		CHK'D BY: BRH	
TITLE: ANL TYPE FUSE HOLDER W/O INSULATORS OR COVER			SCALE:
MATERIAL:		PART NO.	
COLOR: RED	DRG CLASS: REV B	ANB740X1N02	