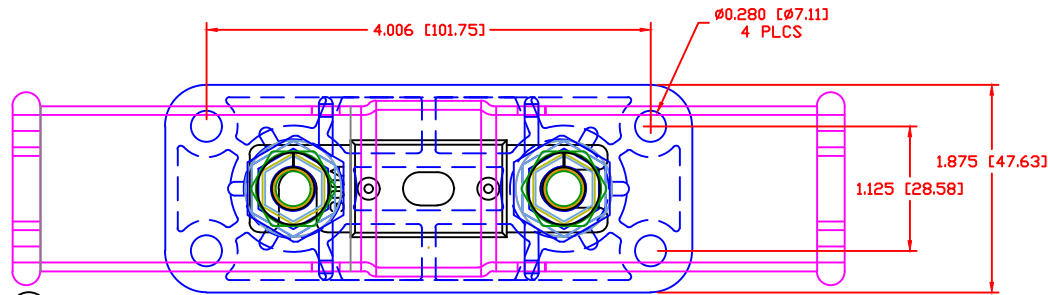


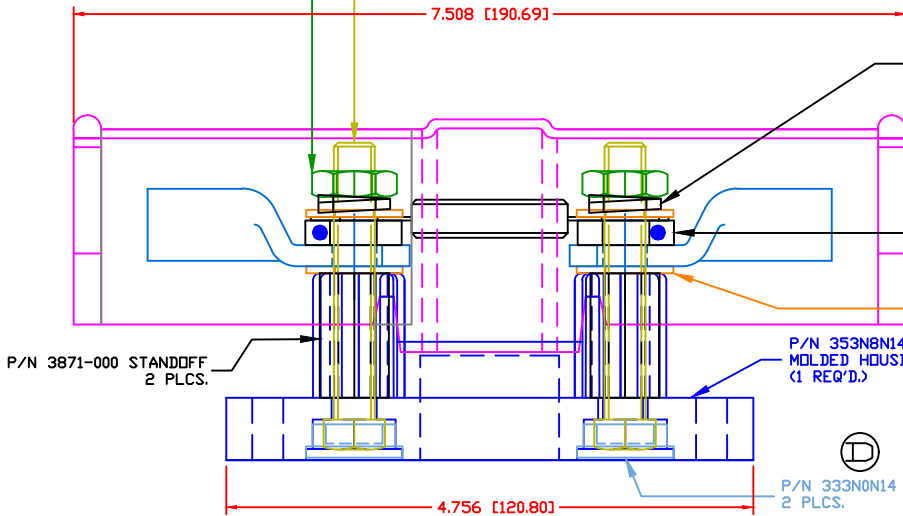
THE INFORMATION CONTAINED IN THIS DRAWING IS THE SOLE PROPERTY OF VTE INCORPORATED. ANY REPRODUCTION IN PART OR WHOLE WITHOUT THE WRITTEN PERMISSION OF VTE INCORPORATED IS PROHIBITED. VTE MAKES NO WARRANTY, EXPRESSED OR IMPLIED, AS TO THE SUITABILITY OF A PRODUCT FOR ANY INTENDED USE. THE CUSTOMER SHALL BEAR THE SOLE RESPONSIBILITY OF DETERMINING THE SUITABILITY OF ANY VTE PRODUCT FOR ITS END USE.

LTR.	REVISIONS	DATE	INT.
A	751N9V00 WAS 351N9V00	04-23-13	BRH
B	751N9P00 WAS 751N9V00	07-30-15	BRH
C	3853-004 WAS 3853-212	08-02-16	RAS
D	333N0N** WAS 333N0V**	08-22-16	MDL
E	3853-212 WAS 3853-004	11-04-16	JMM
F	3844-012 WAS 3844-003	11-04-16	JMM
G	3853-004 WAS 3853-012	05-30-17	JMM
H	ADDED ADDITIONAL INFORMATION FOR PROPER USE	2-19-18	RAS



(F)
P/N 3844-012
3/8"-16 HEAVY HEX JAM NUT
STAINLESS STEEL 2 PLCS

P/N 3740-008
3/8"-16 UNC X 2.5"
FULLY THREADED STAINLESS STEEL
BOLT 2 PLCS



P/N 3638-000
18-8 STAINLESS STEEL
LOCK WASHER 2 PLCS

(C) (E) (G)
P/N 3853-004
COPPER SPACER
NICKEL PLATED 2 PLCS
● BLUE-DOT TECHNOLOGY

P/N 3646-000
18-8 STAINLESS STEEL
FLAT WASHER 4 PLCS

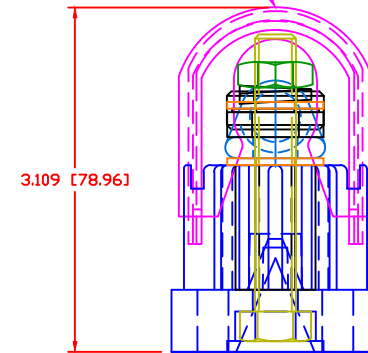
P/N 3871-000 STANDOFF
2 PLCS.

P/N 353N8N14
MOLDED HOUSING
(1 REQ'D.)

(D)
P/N 333N0N14 CAVITY PLUG
2 PLCS.

(A) (B)

P/N 751N9P00 COVER SUBASSEMBLY
CONTAINS:
- 16803040014 (STICKER)
- 351N9P00 (COVER)



SCALE FACTOR: NONE
ALL DIMENSIONS GIVEN AS: in [mm]
TOLERANCES UNLESS OTHERWISE SPECIFIED:
MOLDED PARTS: ± 0.030 " [± 0.8 mm]
HARDWARE ITEMS: ± 0.010 " [± 0.25 mm]

MAXIMUM AMPERAGE: 750 AMPS @ 12VDC
MAXIMUM VOLTAGE: 32VDC

MAXIMUM RECOMMENDED FASTENER TORQUE: (H)
STAINLESS HEAVY HEX JAM NUT: 180 IN./LBS. [20.3 Nm]

MATERIAL PART NO: 111210514UL
MATERIAL: GLASS FILLED NYLON
VENDOR PART NO: HYLON N2015 HL BK
SPECIFIC GRAVITY: 1.23
MELTING TEMP: 515 F [268 C]
U.L. RATING: UL 94 HB
COVER MATERIAL: CLEAR POLYPROPYLENE

INCLUDES P-16808110001 BLUE DOT MULTI LABEL, 1 PER CONTAINER
FUSE AND LUG TERMINALS ARE NOT INCLUDED, (SHOWN FOR REFERENCE ONLY)



VTE Incorporated
5437 Robinson Road, P.O. Box 790
Pellston, Michigan 49769
Telephone: 1-800-527-9256, 231-539-8000
FAX: 231-539-0914

REF:	DATE:	DRN BY:	BRH	WEIGHT:
CUSTOMER DIMS	04-20-07	CHK'D BY:	BRH	
TITLE: FUSE HOLDER, HIGH AMP ANL 3/8" STUDS				
MATERIAL: GLASS FILLED NYLON			PART NO.	
COLOR: BLACK	DRG CLASS	REV H	ANB753N8N14	