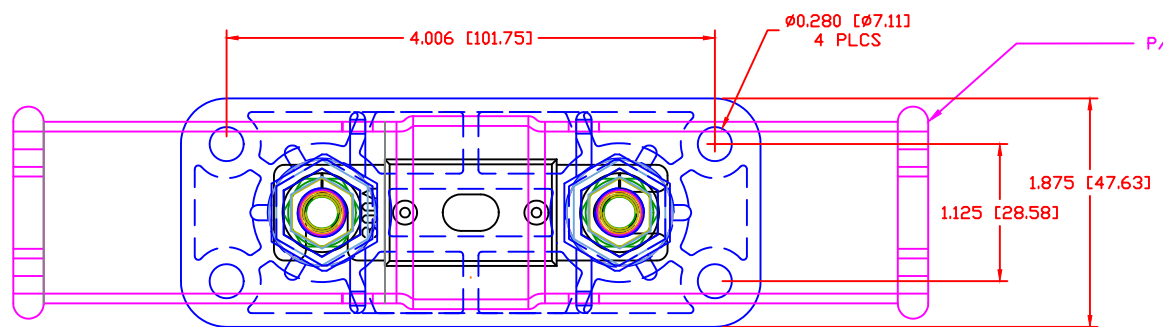
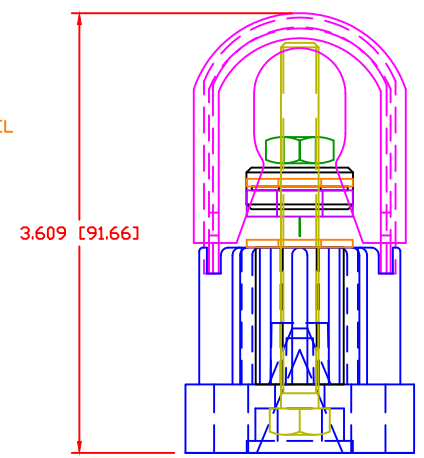
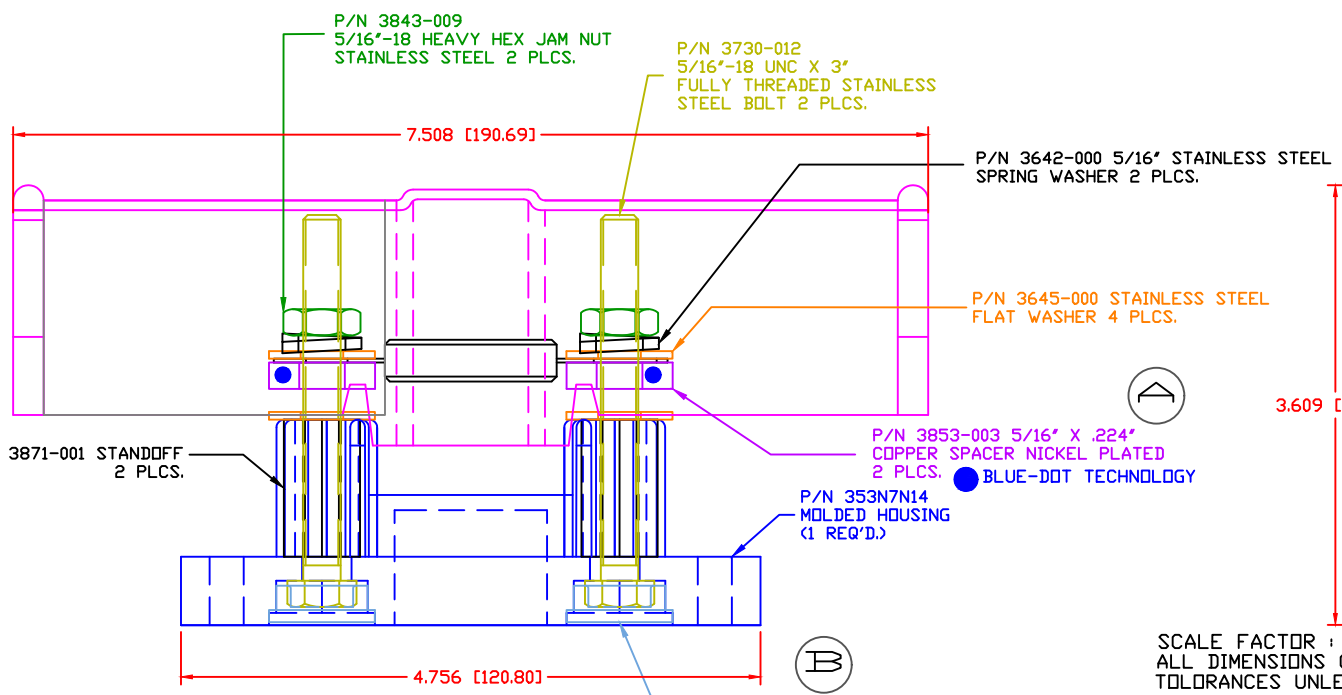


THE INFORMATION CONTAINED IN THIS DRAWING IS THE SOLE PROPERTY OF VTE INCORPORATED. ANY REPRODUCTION IN PART OR WHOLE WITHOUT THE WRITTEN PERMISSION OF VTE INCORPORATED IS PROHIBITED. VTE MAKES NO WARRANTY, EXPRESSED OR IMPLIED, AS TO THE SUITABILITY OF A PRODUCT FOR ANY INTENDED USE. THE CUSTOMER SHALL BEAR THE SOLE RESPONSIBILITY OF DETERMINING THE SUITABILITY OF ANY VTE PRODUCT FOR ITS END USE.

LTR.	REVISIONS	DATE	INT.
A	3853-003 WAS 3853-210	08-02-16	RAS
B	331NON** WAS 331NOV**	08-08-16	MDL
C	ADDED ADDITIONAL INFORMATION FOR PROPER USE	2-19-18	RAS



P/N 751N9P00 COVER SUBASSEMBLY  
CONTAINS:  
- 16803040014 (STICKER)  
- 351N9P00 (COVER)



MAXIMUM AMPERAGE: 750 AMPS @ 12VDC  
MAXIMUM VOLTAGE: 32VDC

MAXIMUM RECOMMENDED FASTENER TORQUE: 144 IN./LBS. [16.2 Nm]

MATERIAL PART NO: 1111210514UL  
MATERIAL: GLASS FILLED NYLON  
VENDOR PART NO: DURETHANE BKV 15 H 2.0 901510  
SPECIFIC GRAVITY: 1.23  
MELTING TEMP: 415 F [213 C]  
U.L. RATING: UL 94 HB  
COVER MATERIAL: CLEAR POLYPROPYLENE

INCLUDES P-16808110001 BLUE DOT MULTI LABEL, 1 PER CONTAINER  
FUSE AND LUG TERMINALS ARE NOT INCLUDED, (SHOWN FOR REFERENCE ONLY)

SCALE FACTOR: NONE  
ALL DIMENSIONS GIVEN AS: in [mm]  
TOLERANCES UNLESS OTHERWISE SPECIFIED:  
MOLDED PARTS: ±.030" [±0.8mm]  
HARDWARE ITEMS: ±.010" [±0.25mm]



VTE Incorporated  
5437 Robinson Road, P.O. Box 790  
Pellston, Michigan 49769  
Telephone: 1-800-527-9256, 231-539-8000  
FAX: 231-539-0914

REF:	DATE:	DRN BY:	BRH	WEIGHT:
CUSTOMER DIMS	7-25-16	CHK'D BY:	RAS	
TITLE: FUSE HOLDER, HIGH AMP ANL 5/16" STUDS				
MATERIAL: GLASS FILLED NYLON			PART NO.	
COLOR: BLACK			ANB753X5N14	
DRG CLASS		REV C		