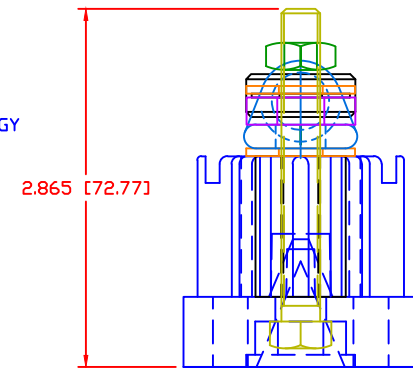
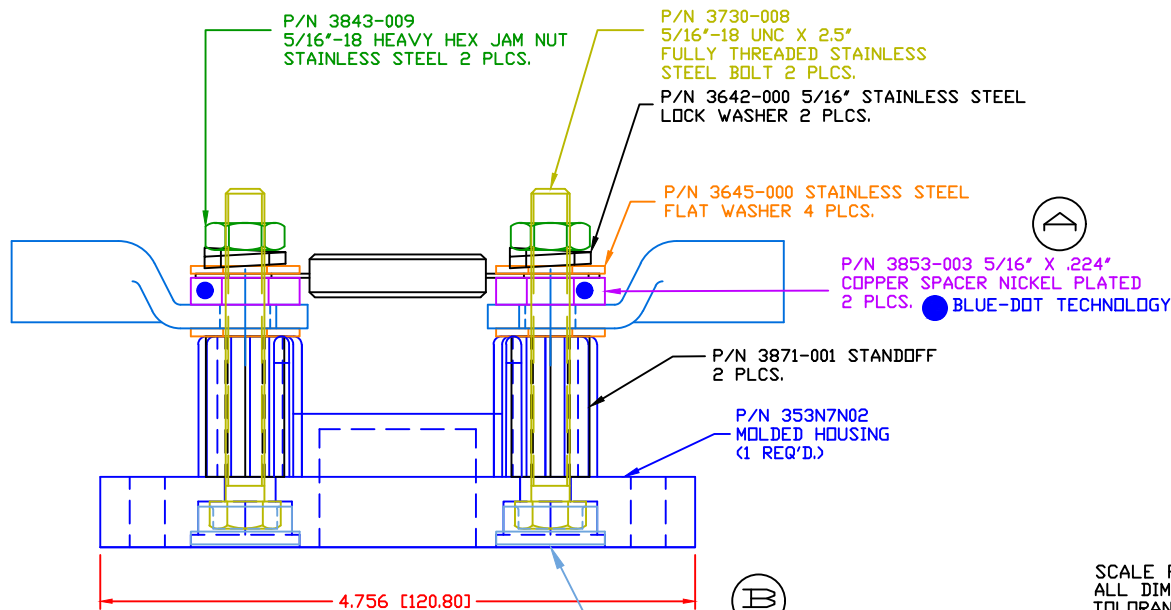
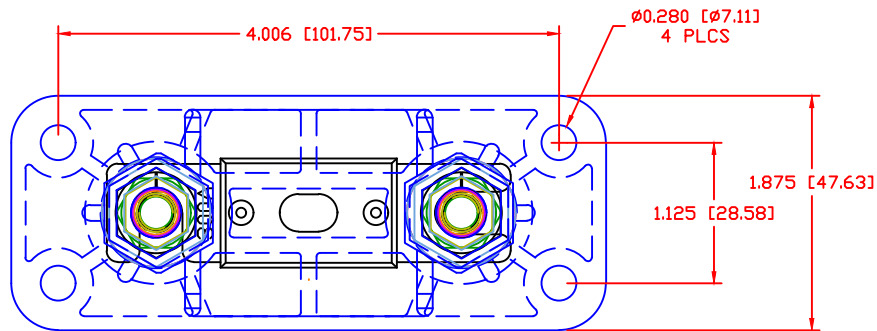


THE INFORMATION CONTAINED IN THIS DRAWING IS THE SOLE PROPERTY OF VTE INCORPORATED. ANY REPRODUCTION IN PART OR WHOLE WITHOUT THE WRITTEN PERMISSION OF VTE INCORPORATED IS PROHIBITED. VTE MAKES NO WARRANTY, EXPRESSED OR IMPLIED, AS TO THE SUITABILITY OF A PRODUCT FOR ANY INTENDED USE. THE CUSTOMER SHALL BEAR THE SOLE RESPONSIBILITY OF DETERMINING THE SUITABILITY OF ANY VTE PRODUCT FOR ITS END USE.

LTR.	REVISIONS	DATE	INT.
A	3853-003 WAS 3853-210	8-02-16	RAS
B	331N0N** WAS 331N0V**	8-08-16	MDL
C	ADDED ADDITIONAL INFORMATION FOR PROPER USE	2-19-18	RAS




MAXIMUM AMPERAGE: 750 AMPS @ 12VDC
 MAXIMUM VOLTAGE: 32VDC

MAXIMUM RECOMMENDED FASTENER TORQUE: **(C)**
 STAINLESS HEAVY HEX JAM NUT: 144 IN./LBS. [16.2 Nm]
 MATERIAL PART NO: 7111210502
 MATERIAL: GLASS FILLED NYLON
 VENDOR PART NO: DURETHANE BKV 15 H 3.0 000000
 SPECIFIC GRAVITY: 1.23
 MELTING TEMP: 415 F [213 C]
 U.L. RATING: UL 94 HB

INCLUDES P-16808110001 BLUE DOT MULTI LABEL, 1 PER CONTAINER
 INCLUDES ASSEMBLY INSTRUCTION SHEET P/N 16805050401
 FUSE AND LUG TERMINALS ARE NOT INCLUDED, (SHOWN FOR REFERENCE ONLY)

SCALE FACTOR : NONE
 ALL DIMENSIONS GIVEN AS: in [mm]
 TOLERANCES UNLESS OTHERWISE SPECIFIED :
 MOLDED PARTS: ±.030" [±0.8mm]
 HARDWARE ITEMS: ±.010" [±0.25mm]

		VTE Incorporated 5437 Robinson Road, P.O. Box 790 Pellston, Michigan 49769 Telephone: 1-800-527-9256, 231-539-8000 FAX: 231-539-0914			
		REF:	DATE:	DRN BY:	BRH
CUSTOMER DIMS	3-13-12	CHK'D BY:	BRH		
TITLE:		FUSE HOLDER, HIGH AMP ANL 5/16" STUDS WITHOUT COVER SPECIAL FOR NEWMAR POWER			
MATERIAL: GLASS FILLED NYLON		PART NO.			
COLOR: RED	DRG CLASS	REV C		ANB753X7N02	