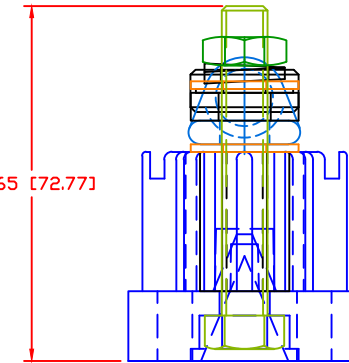
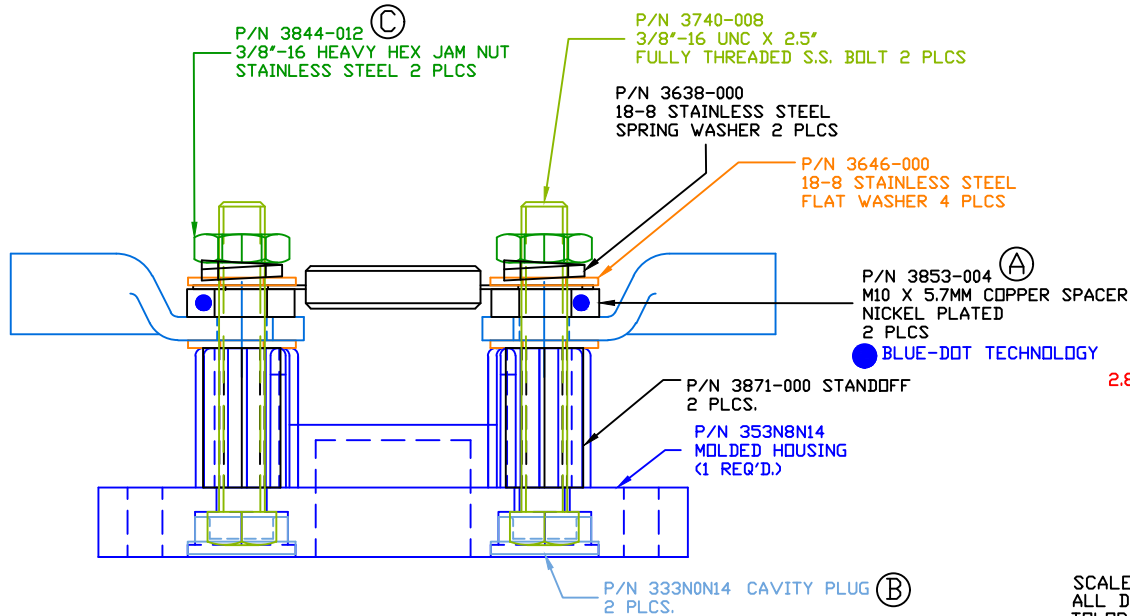
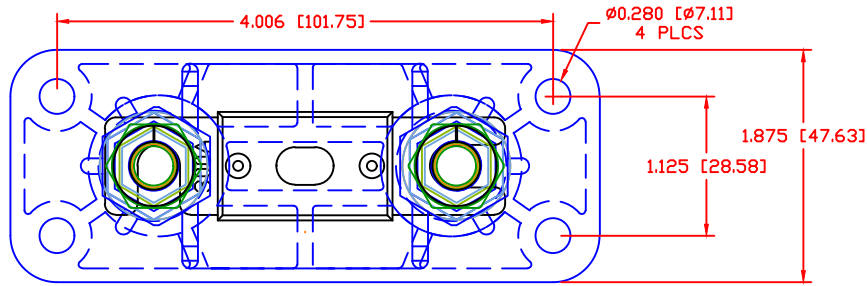


THE INFORMATION CONTAINED IN THIS DRAWING IS THE SOLE PROPERTY OF VTE INCORPORATED. ANY REPRODUCTION IN PART OR WHOLE WITHOUT THE WRITTEN PERMISSION OF VTE INCORPORATED IS PROHIBITED. VTE MAKES NO WARRANTY, EXPRESSED OR IMPLIED, AS TO THE SUITABILITY OF A PRODUCT FOR ANY INTENDED USE. THE CUSTOMER SHALL BEAR THE SOLE RESPONSIBILITY OF DETERMINING THE SUITABILITY OF ANY VTE PRODUCT FOR ITS END USE.

LTR.	REVISIONS	DATE	INT.
A	3853-004 WAS 3853-212	08-02-16	RAS
B	333NON** WAS 333NOV**	08-22-16	MDL
C	3844-012 WAS 3844-003	11-04-16	JMM
D	ADDED ADDITIONAL INFORMATION FOR PROPER USE	2-19-18	RAS




SCALE FACTOR : NONE  
 ALL DIMENSIONS GIVEN AS: in [mm]  
 TOLERANCES UNLESS OTHERWISE SPECIFIED :  
 MOLDED PARTS: ±.030" [±0.8mm]  
 HARDWARE ITEMS: ±.010" [±0.25mm]

MAXIMUM AMPERAGE: 750 AMPS @ 12VDC  
 MAXIMUM VOLTAGE: 32VDC

MAXIMUM RECOMMENDED FASTENER TORQUE:  $\text{\textcircled{D}}$   
 STAINLESS HEAVY JAM HEX NUT: 180 IN./LBS. [20.3 NM]

MATERIAL PART NO: 111210514UL  
 MATERIAL: GLASS FILLED NYLON  
 VENDOR PART NO: HYLON N2015 HL BK  
 SPECIFIC GRAVITY: 1.23  
 MELTING TEMP: 515 F [268 C]  
 U.L. RATING: UL 94 HB

INCLUDES P-16808110001 BLUE DOT MULTI LABEL, 1 PER CONTAINER  
 FUSE AND LUG TERMINALS ARE NOT INCLUDED, (SHOWN FOR REFERENCE ONLY)

		<b>VTE Incorporated</b> 5437 Robinson Road, P.O. Box 790 Pellston, Michigan 49769 Telephone: 1-800-527-9256, 231-539-8000 FAX: 231-539-0914	
		REF:	DATE:
CUSTOMER DIMS	12-14-14	CHK'D BY: BRH	
TITLE: FUSE HOLDER, HIGH AMP ANL 3/8" STUDS WITHOUT COVER SPECIAL FOR CALIFORNIA MFG.			
MATERIAL: GLASS FILLED NYLON		PART NO.	
COLOR: BLACK	DRG CLASS REV D	ANB753X8N14	