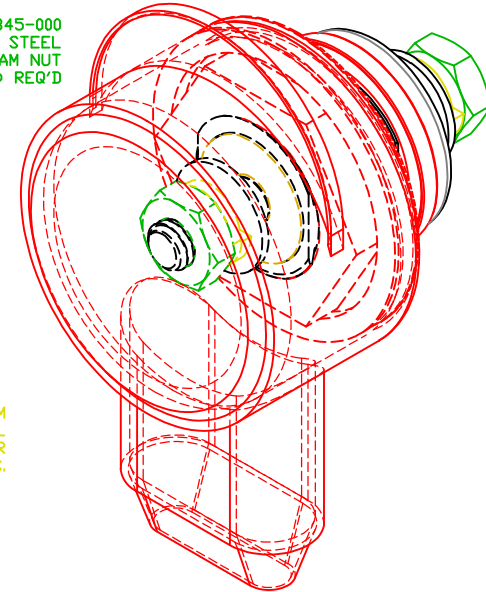
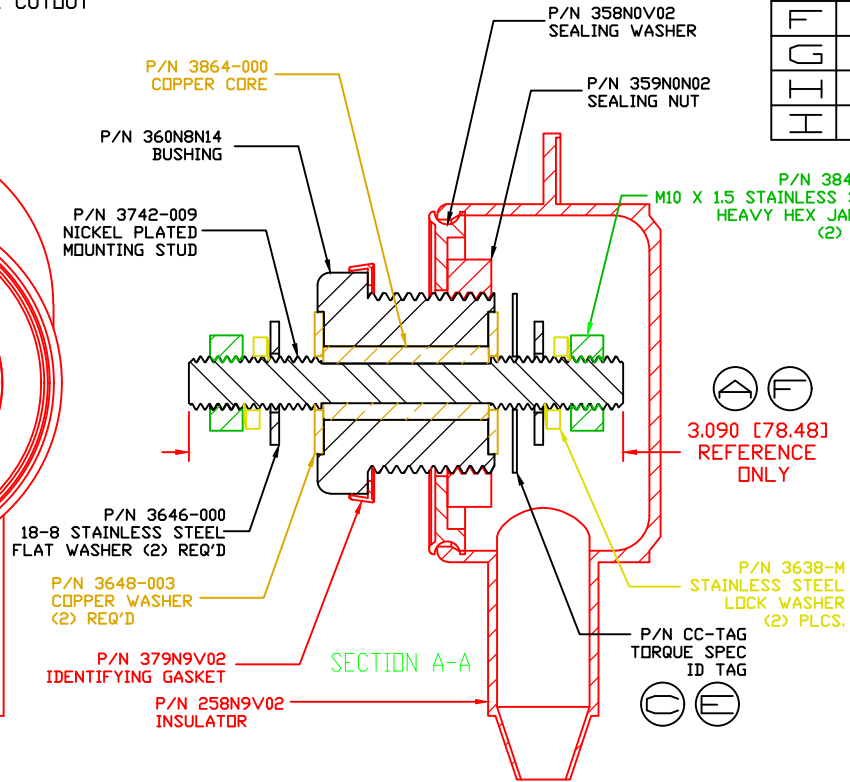
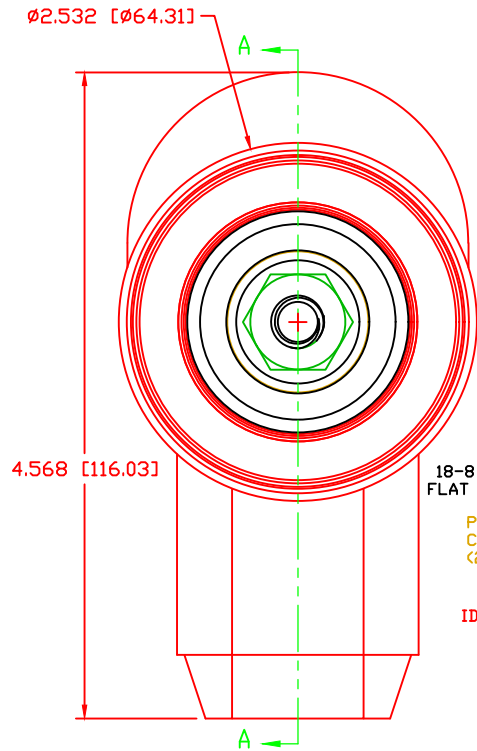
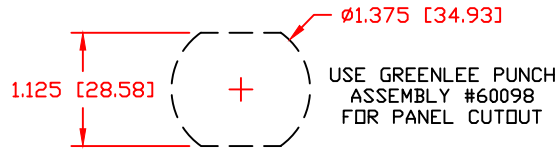


THE INFORMATION CONTAINED IN THIS DRAWING IS THE SOLE PROPERTY OF VTE INCORPORATED. ANY REPRODUCTION IN PART OR WHOLE WITHOUT THE WRITTEN PERMISSION OF VTE INCORPORATED IS PROHIBITED. VTE MAKES NO WARRANTY, EXPRESSED OR IMPLIED, AS TO THE SUITABILITY OF A PRODUCT FOR ANY INTENDED USE. THE CUSTOMER SHALL BEAR THE SOLE RESPONSIBILITY OF DETERMINING THE SUITABILITY OF ANY VTE PRODUCT FOR ITS END USE.

LTR.	REVISIONS	DATE	INT.
A	3.07" WAS 3.25"	5-11-10	BRH
B	REDUCED FROM 550 AMP	11-17-15	RAS
C	ADDED TORQUE TAG	12-29-15	RAS
D	INCREASED FROM 350 AMP	1-01-16	RAS
E	MOVED TORQUE TAG TO OPPOSITE POST	1-27-16	RAS
F	3.09 WAS 3.07, UPDATED MATERIAL P/N	6-22-17	JMM
G	REDRAWN (ORIGINAL DRAWING 5-28-09)	11-17-17	RAS
H	UPDATED TORQUE VALUES FROM 180 IN-LBS [20.34 Nm]	2-03-18	RAS
I	ADDED IP65 STATEMENT	10-17-18	RAS



SCALE FACTOR : NONE
 ALL DIMENSIONS GIVEN AS: in [mm]
 TOLERANCES UNLESS OTHERWISE SPECIFIED :
 MOLDED PARTS: ±.030" [±0.8mm]
 HARDWARE ITEMS: ±.010" [±0.25mm]

(H) MAXIMUM FASTENER TORQUES:
 JAM NUTS: 212 IN-LBS [24.0 Nm]
 SEALING NUT: 120 IN-LBS [13.5 Nm]

(< ASSEMBLY DESIGNED TO MEET IP65 REQUIREMENTS >)

CURRENT CARRYING CAPACITY:
 DUTY CYCLE:
 CURRENT CAPACITY:
 TEMPORARY MAX (12 MINUTES)
 MATERIAL PART NO:
 MATERIAL:
 VENDOR PART NO:
 SPECIFIC GRAVITY:
 MELTING TEMP:
 U.L. RATING:

80%
 4.3 Kw (360 AMP @ 12VDC) (B) (D)
 5.4 Kw (450 AMP @ 12VDC) (B) (D)
 111210514UL (F)
 GLASS FILLED NYLON
 HYLON N2015 HL BK
 1.23
 515 F [268 C]
 UL 94 HB

		VTE Incorporated 5437 Robinson Road, P.O. Box 790 Pellston, Michigan 49769 Telephone: 1-800-527-9256, 231-539-8000 FAX: 231-539-0914	
		REF: CUSTOMER DIMS	DATE: 11-17-17
TITLE: WEATHER PROOF 10MM POWER BUSHING, COPPER CORE		CHK'D BY: PJK	
MATERIAL: GLASS FILLED NYLON		PART NO. CCB376M0N02W	
COLOR: RED	DRG CLASS: REV I		