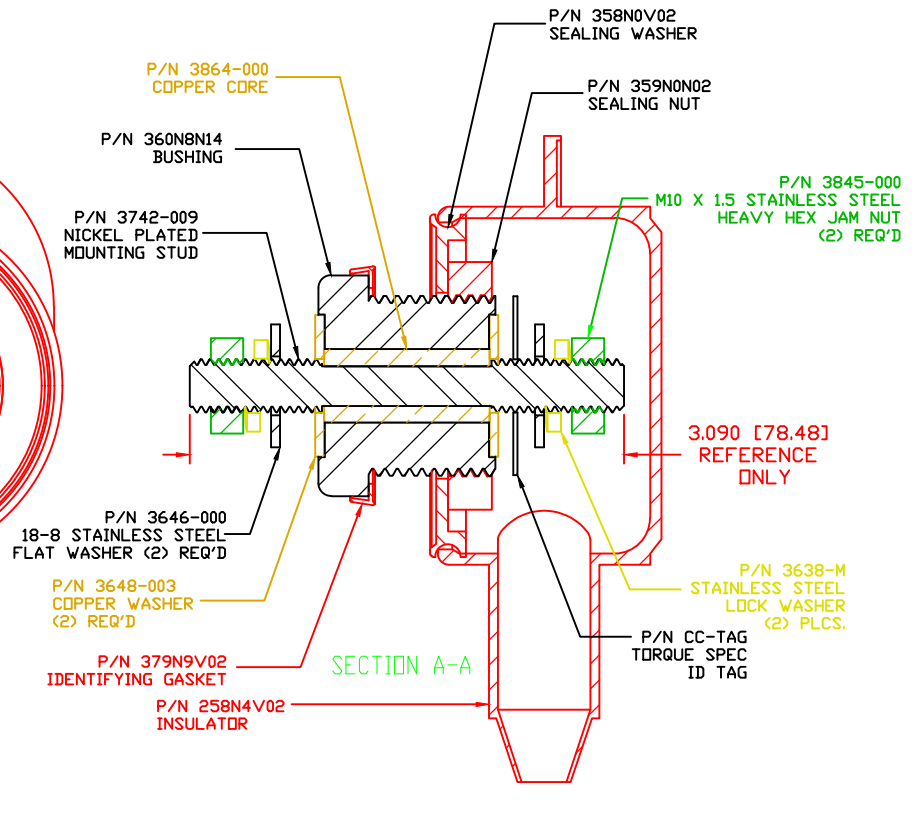
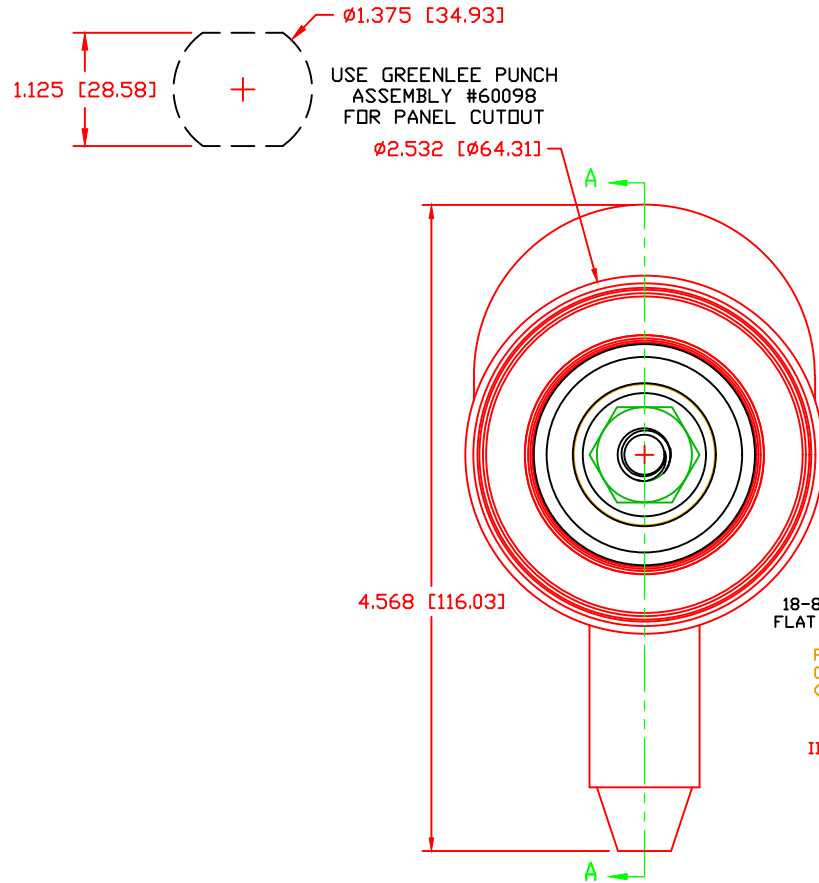


THE INFORMATION CONTAINED IN THIS DRAWING IS THE SOLE PROPERTY OF VTE INCORPORATED. ANY REPRODUCTION IN PART OR WHOLE WITHOUT THE WRITTEN PERMISSION OF VTE INCORPORATED IS PROHIBITED. VTE MAKES NO WARRANTY, EXPRESSED OR IMPLIED, AS TO THE SUITABILITY OF A PRODUCT FOR ANY INTENDED USE. THE CUSTOMER SHALL BEAR THE SOLE RESPONSIBILITY OF DETERMINING THE SUITABILITY OF ANY VTE PRODUCT FOR ITS END USE.


LTR.	REVISIONS	DATE	INT.



SCALE FACTOR : NONE  
 ALL DIMENSIONS GIVEN AS: in [mm]  
 TOLERANCES UNLESS OTHERWISE SPECIFIED :  
 MOLDED PARTS:  $\pm 0.030$ " [ $\pm 0.8$ mm]  
 HARDWARE ITEMS:  $\pm 0.010$ " [ $\pm 0.25$ mm]

MAXIMUM FASTENER TORQUES:  
 JAM NUTS: 212 IN-LBS [24.0 Nm]  
 SEALING NUT: 120 IN-LBS [13.5 Nm]  
 CURRENT CARRYING CAPACITY:  
 DUTY CYCLE: 80%  
 CURRENT CAPACITY: 4.3 Kw (360 AMP @ 12VDC)  
 TEMPORARY MAX (12 MINUTES): 5.4 Kw (450 AMP @ 12VDC)  
 MATERIAL PART NO: 111210514UL  
 MATERIAL: GLASS FILLED NYLON  
 VENDOR PART NO: HYLON N2015 HL BK  
 SPECIFIC GRAVITY: 1.23  
 MELTING TEMP: 515 F [268 C]  
 U.L. RATING: UL 94 HB

( ASSEMBLY DESIGNED TO MEET IP65 REQUIREMENTS )



VTE Incorporated

5437 Robinson Road, P.O. Box 790  
 Pellston, Michigan 49769  
 Telephone: 1-800-527-9256, 231-539-8000  
 FAX: 231-539-0914

REF: CUSTOMER DIMS	DATE: 5-08-19	DRN BY: RAS	WEIGHT:
		CHK'D BY: PJK	
TITLE: WEATHER PROOF 10MM POWER BUSHING, COPPER CORE			
MATERIAL: GLASS FILLED NYLON		PART NO. CCB376M1N02W	
COLOR: RED	DRG CLASS		