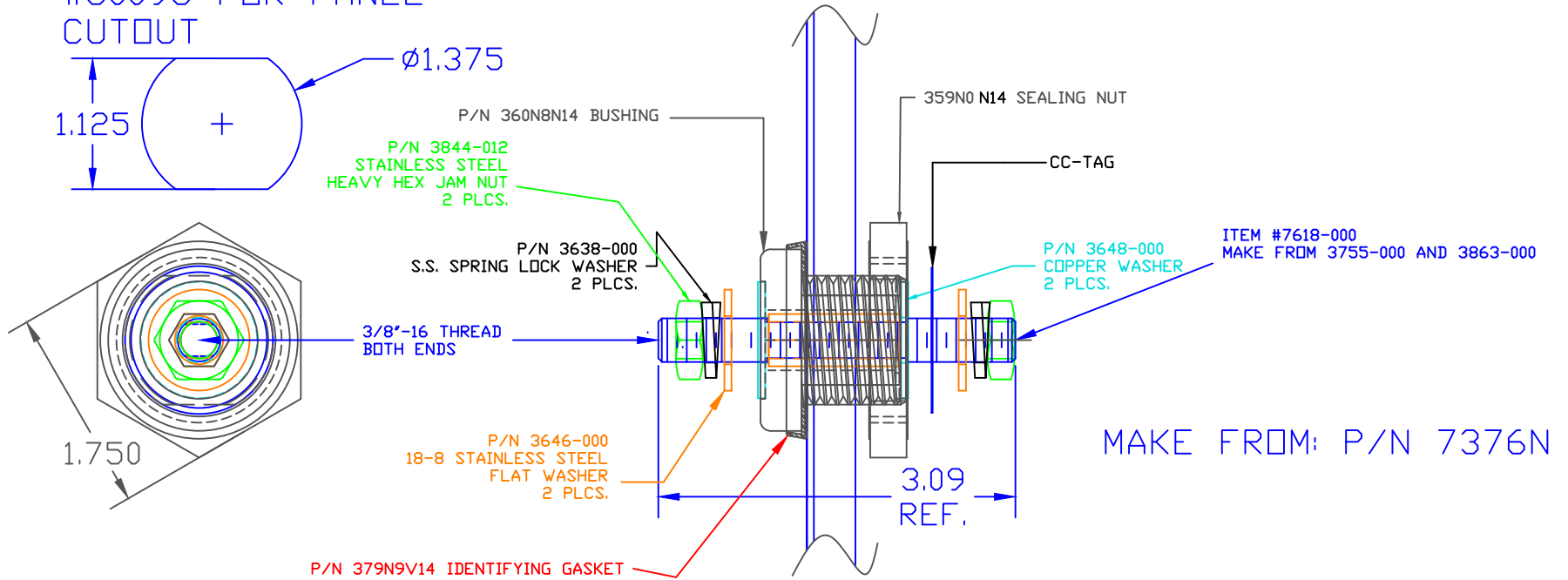



THE INFORMATION CONTAINED IN THIS DRAWING IS THE SOLE PROPERTY OF VTE INCORPORATED. ANY REPRODUCTION IN PART OR WHOLE WITHOUT THE WRITTEN PERMISSION OF VTE INCORPORATED IS PROHIBITED.

LTR.	REVISIONS	DATE	INT.
△	UPDATED TORQUE VALUES FROM 180 IN-LBS [20.34 Nm]	2-03-18	RAS

USE GREENLEE  
PUNCH ASSEMBLY  
#60098 FOR PANEL  
CUTOUT




MAXIMUM FASTENER TORQUES:  
JAM NUTS: 212 IN-LBS [24.0 Nm]   
SEALING NUT: 120 IN-LBS [13.56 Nm]

CURRENT CARRYING CAPACITY:  
DUTY CYCLE: 80%  
CURRENT CAPACITY: 5.2 Kw (440 AMP @ 12VDC)  
TEMPORARY MAX (12 MINUTES): 6.6 Kw (550 AMP @ 12VDC)

BASE MATERIAL: GLASS-REINFORCED NYLON  
BASE MATERIAL U.L. RATING: 94 HB  
VTE MATERIAL P/N: 1111210514UL

TOLERANCE UNLESS OTHERWISE SPECIFIED:  
MOLDED PRODUCTS ONLY: ±0.30"/±0.8mm  
HARDWARE ITEMS: ±0.010"/±0.25mm  
RADIAL DIAMETERS TO BE MEASURED OVER MANDRELS,  
RING GAGES OR PIN GAGES OF SUITABLE SIZE

		<b>VTE Incorporated</b> 5437 Robinson Road, P.O. Box 790 Pellston, Michigan 49769 Telephone: 1-800-527-9256, 231-539-8000 FAX: 231-539-0914	
		REF:	DATE: 6-19-17
TITLE: POWER BUSHING, COPPER CORE		CHK'D BY: RAS	SCALE:
MATERIAL:		PART NO. CCB376X1N14	
COLOR: BLACK	DRG CLASS: REV A		