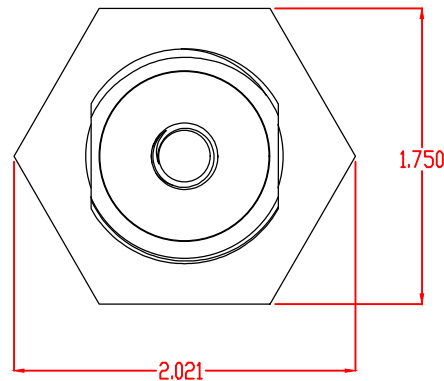
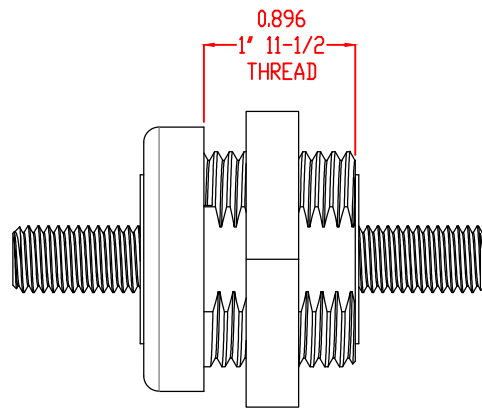
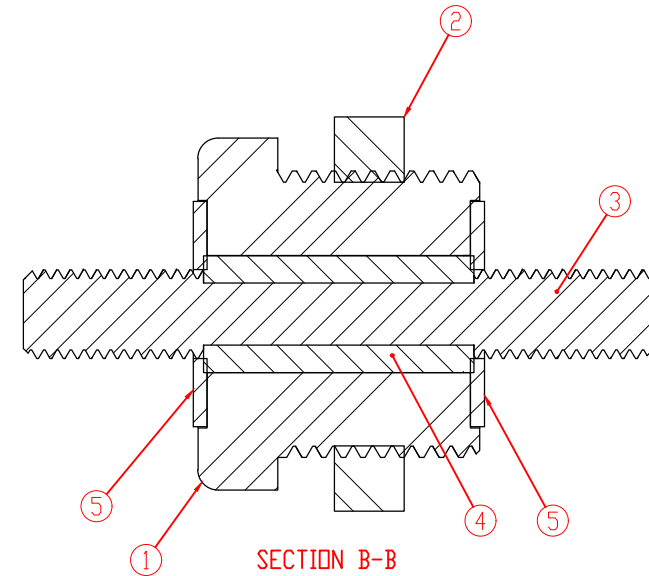
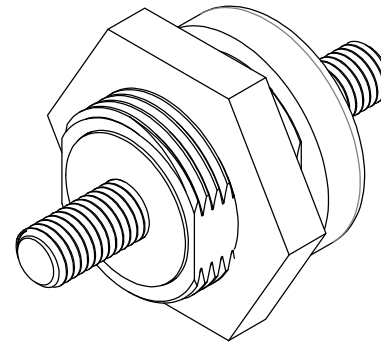
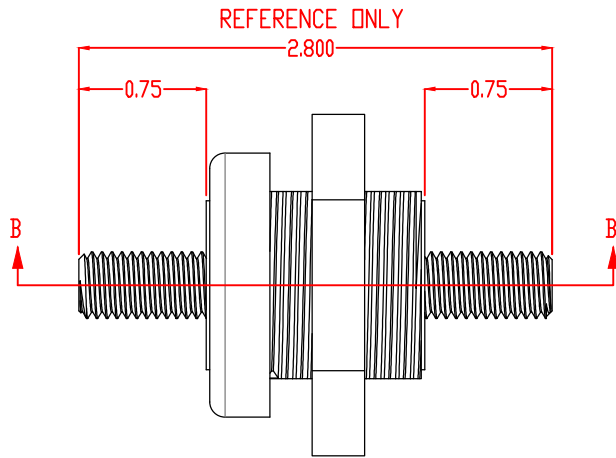


THE INFORMATION CONTAINED IN THIS DRAWING IS THE SOLE PROPERTY OF VTE INCORPORATED. ANY REPRODUCTION IN PART OR WHOLE WITHOUT THE WRITTEN PERMISSION OF VTE INCORPORATED IS PROHIBITED. VTE MAKES NO WARRANTY, EXPRESSED OR IMPLIED, AS TO THE SUITABILITY OF A PRODUCT FOR ANY INTENDED USE. THE CUSTOMER SHALL BEAR THE SOLE RESPONSIBILITY OF DETERMINING THE SUITABILITY OF ANY VTE PRODUCT FOR ITS END USE.

LTR.	REVISIONS	DATE	INT.
⏏	ADDED REFERENCE DIMENSION NOTE	15JUN16	RAS



ITEM NO.	PART NUMBER	DESCRIPTION	QTY.
1	360N8N14	GFN BUSHING	1
2	359N0N14	GFN LOCKING NUT	1
3	3863-000	COPPER CORE	1
4	3755-003	3/8"-16 THREADED ROD (3742-012)	1
5	3648-004	NICKEL PLATED CONTACT WASHERS	2

ALL DIMENSIONS GIVEN AS: in [mm]
 MOLDED PARTS: ±.030" [±0.8mm]
 HARDWARE ITEMS: ±.010" [±0.25mm]


CURRENT CARRYING CAPACITY:
 DUTY CYCLE:
 CURRENT CAPACITY:
 TEMPORARY MAX (12 MINUTES)

80%
 5.2 Kw (440 AMP @ 12VDC)
 6.6 Kw (550 AMP @ 12VDC)

MAXIMUM FASTENER TORQUES:
 SEALING NUT: 10 FT./LBS.(120 IN./LBS.)

BASE MATERIAL U.L. RATING: 94 HB
 BASE MATERIAL: GLASS-REINFORCED NYLON

DO NOT SCALE



VTE Incorporated
 5437 Robinson Road, P.O. Box 790
 Pellston, Michigan 49769
 Telephone: 1-800-527-9256, 231-539-8000
 FAX: 231-539-0914

REF:	DATE: 15JUN16	DRN BY: RAS CHK'D BY: RAS	WEIGHT:
TITLE: IMPERIAL POWER BUSHING FOR CHIEF			
MATERIAL:		PART NO. CCBXC114	
COLOR: BLACK	DRG CLASS		