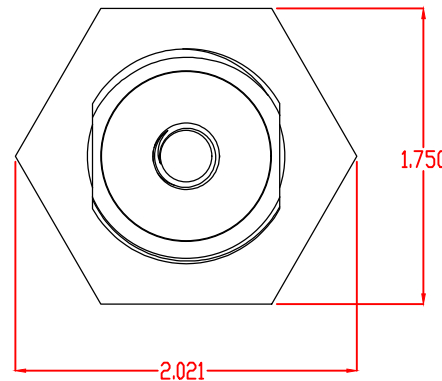
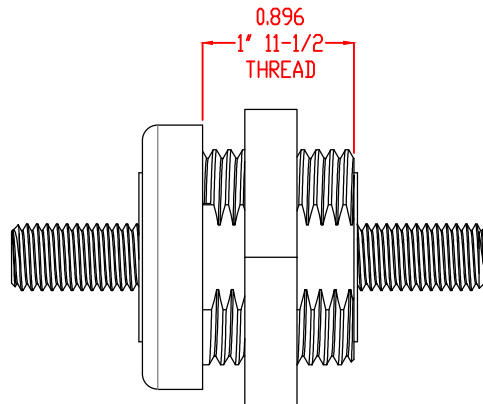
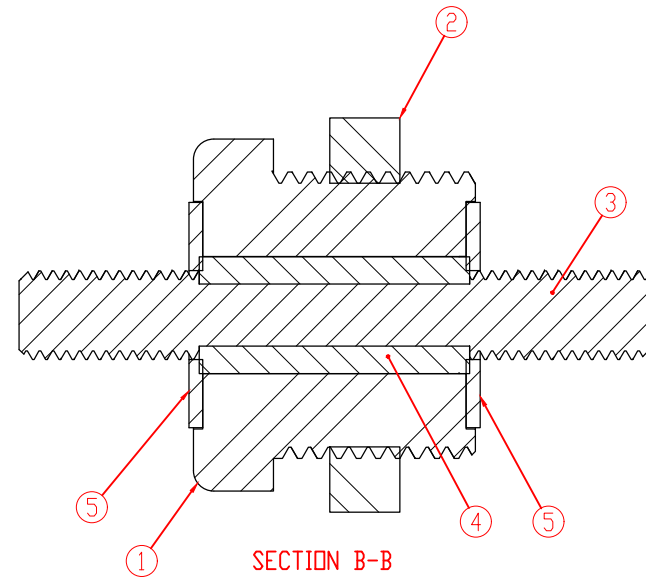
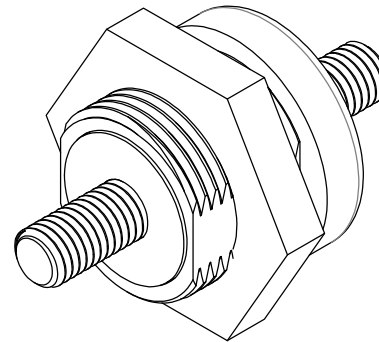
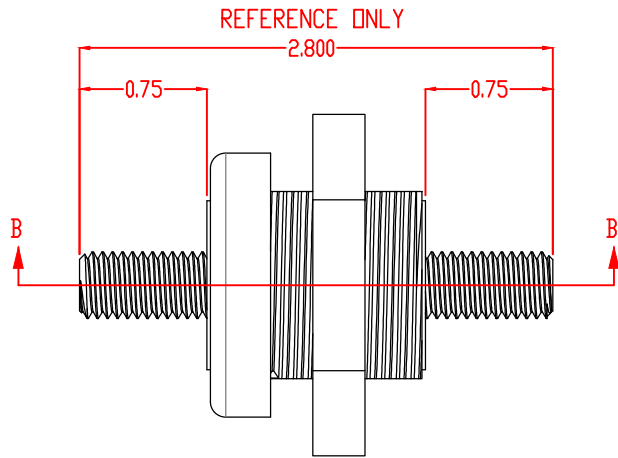


THE INFORMATION CONTAINED IN THIS DRAWING IS THE SOLE PROPERTY OF VTE INCORPORATED. ANY REPRODUCTION IN PART OR WHOLE WITHOUT THE WRITTEN PERMISSION OF VTE INCORPORATED IS PROHIBITED. VTE MAKES NO WARRANTY, EXPRESSED OR IMPLIED, AS TO THE SUITABILITY OF A PRODUCT FOR ANY INTENDED USE. THE CUSTOMER SHALL BEAR THE SOLE RESPONSIBILITY OF DETERMINING THE SUITABILITY OF ANY VTE PRODUCT FOR ITS END USE.

LTR.	REVISIONS	DATE	INT.
△	ADDED REFERENCE DIMENSION NOTE	15JUN16	RAS



ITEM NO.	PART NUMBER	DESCRIPTION	QTY.
1	360N8N02	GFN BUSHING	1
2	359N0N02	GFN LOCKING NUT	1
3	3755-M03	10MM X 1.5 THREADED ROD (3742-013)	1
4	3864-000	COPPER CORE BUSHING	1
5	3648-005	NICKEL PLATED CONTACT WASHERS	2

ALL DIMENSIONS GIVEN AS: In [mm]  
MOLDED PARTS: ±.030" [±0.8mm]  
HARDWARE ITEMS: ±.010" [±0.25mm]

CURRENT CARRYING CAPACITY:

DUTY CYCLE:

CURRENT CAPACITY:

TEMPORARY MAX (12 MINUTES)

80%

4.3 Kw (360 AMP @ 12VDC)

5.4 Kw (450 AMP @ 12VDC)

MAXIMUM FASTENER TORQUES:

SEALING NUT: 10 FT./LBS.(120 IN./LBS.)

BASE MATERIAL U.L. RATING:

94 HB

BASE MATERIAL: GLASS-REINFORCED NYLON

DO NOT SCALE



VTE Incorporated

5437 Robinson Road, P.O. Box 790  
Pellston, Michigan 49769  
Telephone: 1-800-527-9256, 231-539-8000  
FAX: 231-539-0914

REF:	DATE: 15JUN16	DRN BY: RAS CHK'D BY: RAS	WEIGHT:
------	------------------	------------------------------	---------

TITLE: METRIC POWER BUSHING FOR CHIEF

MATERIAL:	DRG CLASS	PART NO. CCBXC202
COLOR: RED		