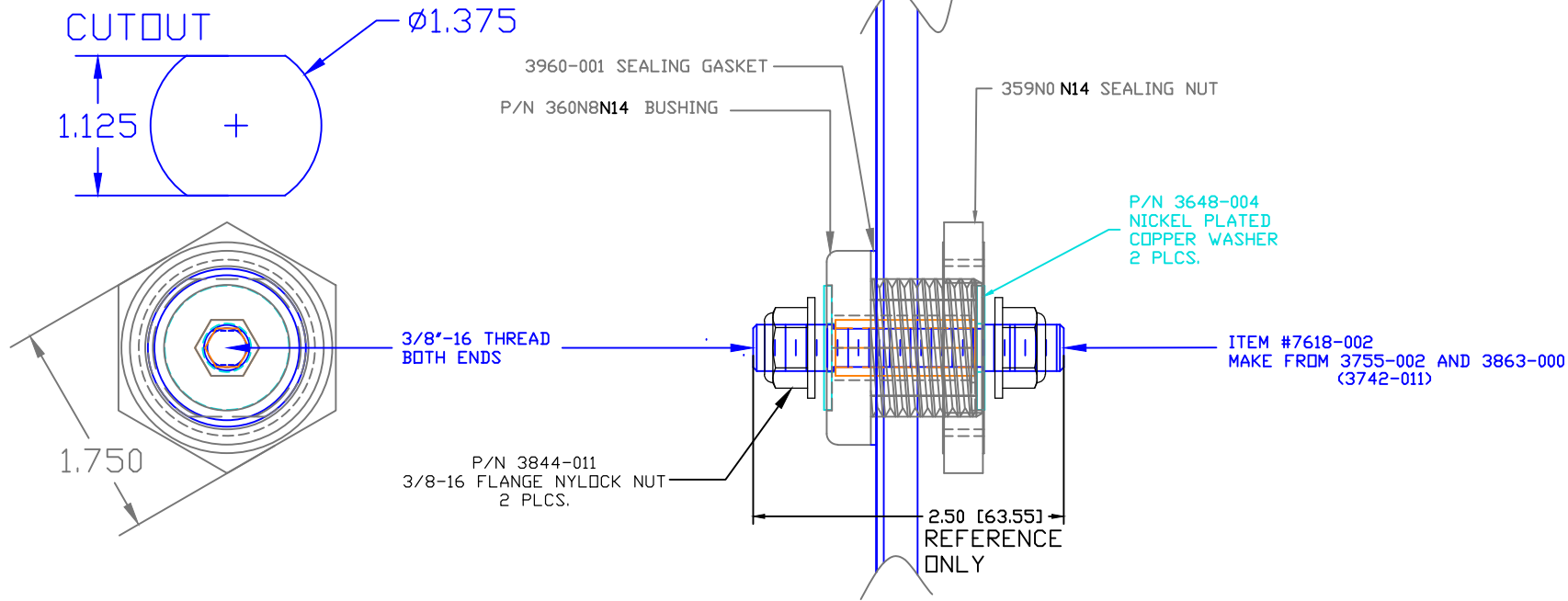


THE INFORMATION CONTAINED IN THIS DRAWING IS THE SOLE PROPERTY OF VTE INCORPORATED. ANY REPRODUCTION IN PART OR WHOLE WITHOUT THE WRITTEN PERMISSION OF VTE INCORPORATED IS PROHIBITED.

LTR.	REVISIONS	DATE	INT.
△	UPDATED FASTENER USAGE	5/17/16	RAS

MAKE FROM: P/N 7376XL114

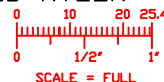
USE GREENLEE
PUNCH ASSEMBLY
#60098 FOR PANEL
CUTOUT



MAXIMUM FASTENER TORQUES:
 NYLOCK NUTS: 15 FT./LBS. (180 IN./LBS.) RECOMMENDED FOR SINGLE USE
 SEALING NUT: 10 FT./LBS. (120 IN./LBS.)

CURRENT CARRYING CAPACITY:
 DUTY CYCLE: 80%
 CURRENT CAPACITY: 5.2 Kw (440 AMP @ 12VDC)
 TEMPORARY MAX (12 MINUTES): 6.6 Kw (550 AMP @ 12VDC)

BASE MATERIAL: GLASS-REINFORCED NYLON
 BASE MATERIAL U.L. RATING: 94 HB
 VTE MATERIAL P/N: 1111210514



TOLERANCE UNLESS OTHERWISE SPECIFIED:
 MOLDED PRODUCTS ONLY: ±0.30°/±0.8mm
 HARDWARE ITEMS: ±0.010°/±0.25mm
 RADIAL DIAMETERS TO BE MEASURED OVER MANDRELS,
 RING GAGES OR PIN GAGES OF SUITABLE SIZE

VTE Incorporated
 5437 Robinson Road, P.O. Box 790
 Pellston, Michigan 49769
 Telephone: 1-800-527-9256, 231-539-8000
 FAX: 231-539-0914

REF:	DATE: 22MAR16	DRN BY: RAS CHK'D BY: RAS	WEIGHT:
TITLE: POWER BUSHING, COPPER CORE, FOR LITHIONICS		SCALE:	
MATERIAL:		PART NO. CCBXL114	
COLOR:	DRG CLASS		