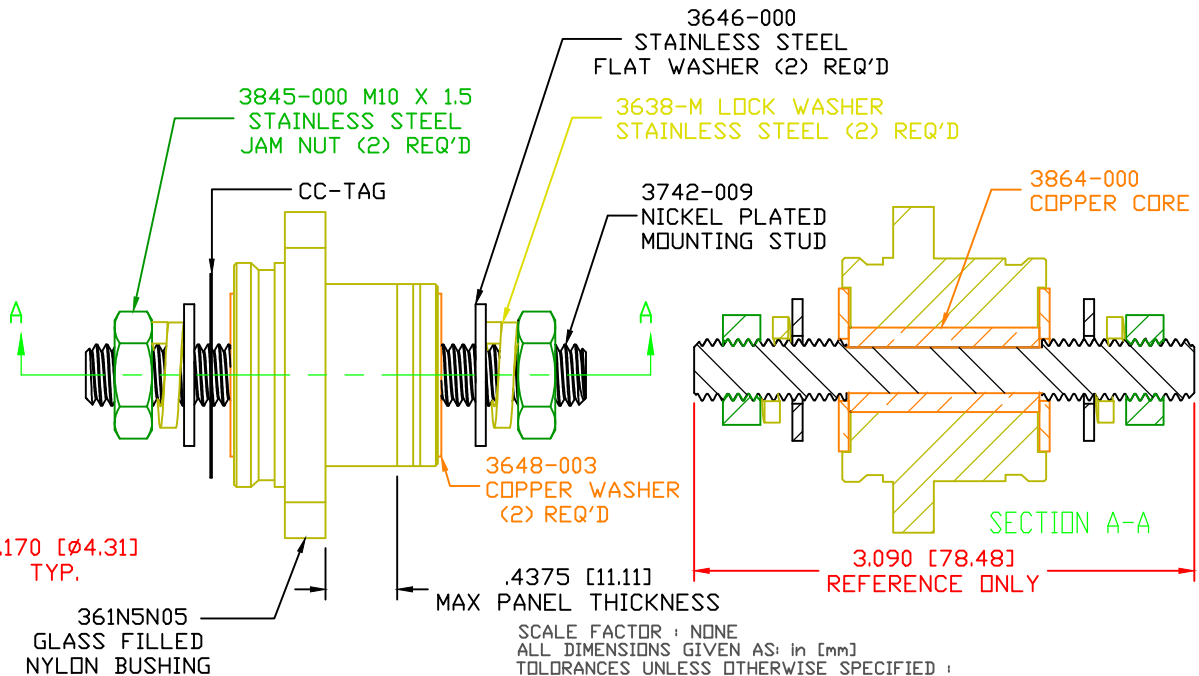
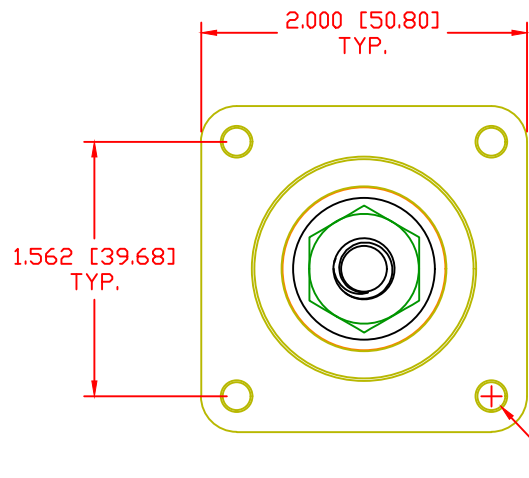
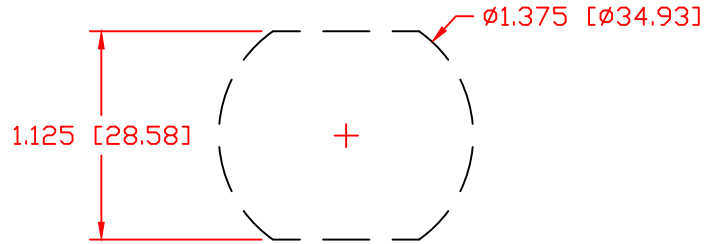


THE INFORMATION CONTAINED IN THIS DRAWING IS THE SOLE PROPERTY OF VTE INCORPORATED. ANY REPRODUCTION IN PART OR WHOLE WITHOUT THE WRITTEN PERMISSION OF VTE INCORPORATED IS PROHIBITED. VTE MAKES NO WARRANTY, EXPRESSED OR IMPLIED, AS TO THE SUITABILITY OF A PRODUCT FOR ANY INTENDED USE. THE CUSTOMER SHALL BEAR THE SOLE RESPONSIBILITY OF DETERMINING THE SUITABILITY OF ANY VTE PRODUCT FOR ITS END USE.

LTR.	REVISIONS	DATE	INT.
△	UPDATED TORQUE VALUES FROM 180 IN-LBS [20.34 Nm]	2-03-18	RAS

USE GREENLEE PUNCH  
ASSEMBLY #60098  
FOR PANEL CUTOUT



SCALE FACTOR : NONE  
ALL DIMENSIONS GIVEN AS: in [mm]  
TOLERANCES UNLESS OTHERWISE SPECIFIED :  
MOLDED PARTS: ±.030" [±0.8mm]  
HARDWARE ITEMS: ±.010" [±0.25mm]


⊕ MAXIMUM FASTENER TORQUES:  
JAM NUTS: 212 IN-LBS [24.0 Nm]

CURRENT CARRYING CAPACITY:  
DUTY CYCLE:  
CURRENT CAPACITY:  
TEMPORARY MAX (12 MINUTES)

80%  
4.3 Kw (360 AMP @ 12VDC)  
5.4 Kw (450 AMP @ 12VDC)

MATERIAL PART NO:  
MATERIAL:  
VENDOR PART NO:  
SPECIFIC GRAVITY:  
MELTING TEMP:  
U.L. RATING:

7111210505  
GLASS FILLED NYLON  
NYLON N2015 HL NAT  
1.23  
515 F [268 C]  
UL 94 HB

		<b>VTE Incorporated</b> 5437 Robinson Road, P.O. Box 790 Pellston, Michigan 49769 Telephone: 1-800-527-9256, 231-539-8000 FAX: 231-539-0914	
		REF: CUSTOMER DIMS	DATE: 11-13-17
TITLE: 10MM PANEL MOUNT POWER BUSHING, COPPER CORE			
MATERIAL: GLASS FILLED NYLON		PART NO. CCFB106N05	
COLOR: YELLOW	DRG CLASS: REV A		