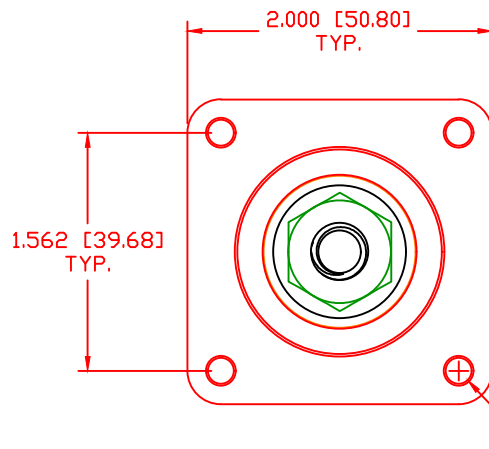
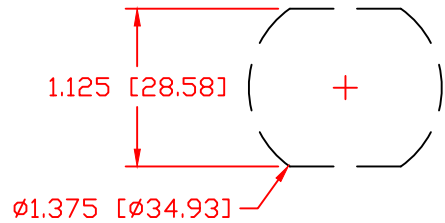


THE INFORMATION CONTAINED IN THIS DRAWING IS THE SOLE PROPERTY OF VTE INCORPORATED. ANY REPRODUCTION IN PART OR WHOLE WITHOUT THE WRITTEN PERMISSION OF VTE INCORPORATED IS PROHIBITED. VTE MAKES NO WARRANTY, EXPRESSED OR IMPLIED, AS TO THE SUITABILITY OF A PRODUCT FOR ANY INTENDED USE. THE CUSTOMER SHALL BEAR THE SOLE RESPONSIBILITY OF DETERMINING THE SUITABILITY OF ANY VTE PRODUCT FOR ITS END USE.

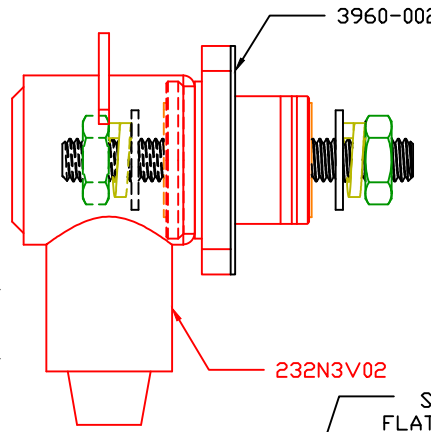
LTR.	REVISIONS	DATE	INT.
⌒	UPDATED TORQUE VALUES FROM 180 IN-LBS [20.34 Nm]	2-03-18	RAS

USE GREENLEE PUNCH  
ASSEMBLY #60098  
FOR PANEL CUTOUT

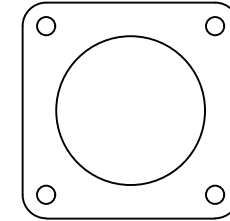


ASSEMBLY  
CCFB376N02W  
CONSIST OF :

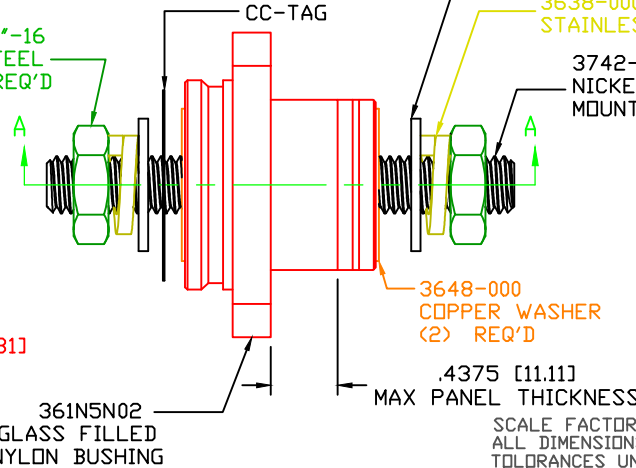
- 1-CCFB376N02  
POWER BUSHING
- 1-3960-002  
SEALING GASKET
- 1-232N3V02  
INSULATOR BOOT



P/N 3960-002  
.062 THICK CF 4480 81 DURDMETER  
FIBERGLASS REINFORCED SILICONE  
PRESS PAD SEALING GASKET



3844-012 3/8"-16  
STAINLESS STEEL  
JAM NUT (2) REQ'D

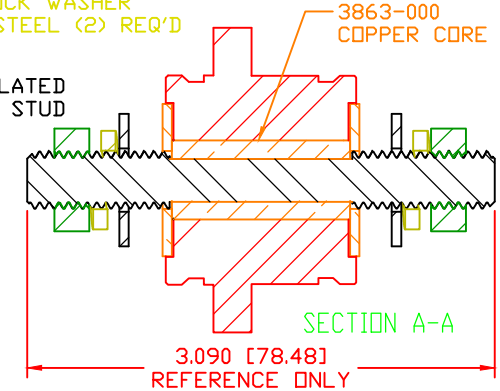


3646-000  
STAINLESS STEEL  
FLAT WASHER (2) REQ'D

3638-000 LOCK WASHER  
STAINLESS STEEL (2) REQ'D

3742-007  
NICKEL PLATED  
MOUNTING STUD

3863-000  
COPPER CORE



SCALE FACTOR : NONE  
ALL DIMENSIONS GIVEN AS: in [mm]  
TOLERANCES UNLESS OTHERWISE SPECIFIED :  
MOLDED PARTS: ±.030" [±0.8mm]  
HARDWARE ITEMS: ±.010" [±0.25mm]

⊕ MAXIMUM FASTENER TORQUES:  
JAM NUTS: 212 IN-LBS [24.0 Nm]

CURRENT CARRYING CAPACITY:  
DUTY CYCLE: 80%  
CURRENT CAPACITY: 5.2 Kw (440 AMP @ 12VDC)  
TEMPORARY MAX (12 MINUTES): 6.6 Kw (550 AMP @ 12VDC)

MATERIAL PART NO: 7111210502  
MATERIAL: GLASS FILLED NYLON  
VENDOR PART NO: NYLON N2015 HL NAT  
SPECIFIC GRAVITY: 1.23  
MELTING TEMP: 515 F [268 C]  
U.L. RATING: UL 94 HB



VTE Incorporated  
5437 Robinson Road, P.O. Box 790  
Pellston, Michigan 49769  
Telephone: 1-800-527-9256, 231-539-8000  
FAX: 231-539-0914

REF: CUSTOMER DIMS	DATE: 11-16-17	DRN BY: RAS	WEIGHT:
TITLE: 3/8" PANEL MOUNT POWER BUSHING, COPPER CORE		CHK'D BY: PJK	
MATERIAL: GLASS FILLED NYLON	PART NO. CCFB376N02W		
COLOR: RED	DRG CLASS: REV A		