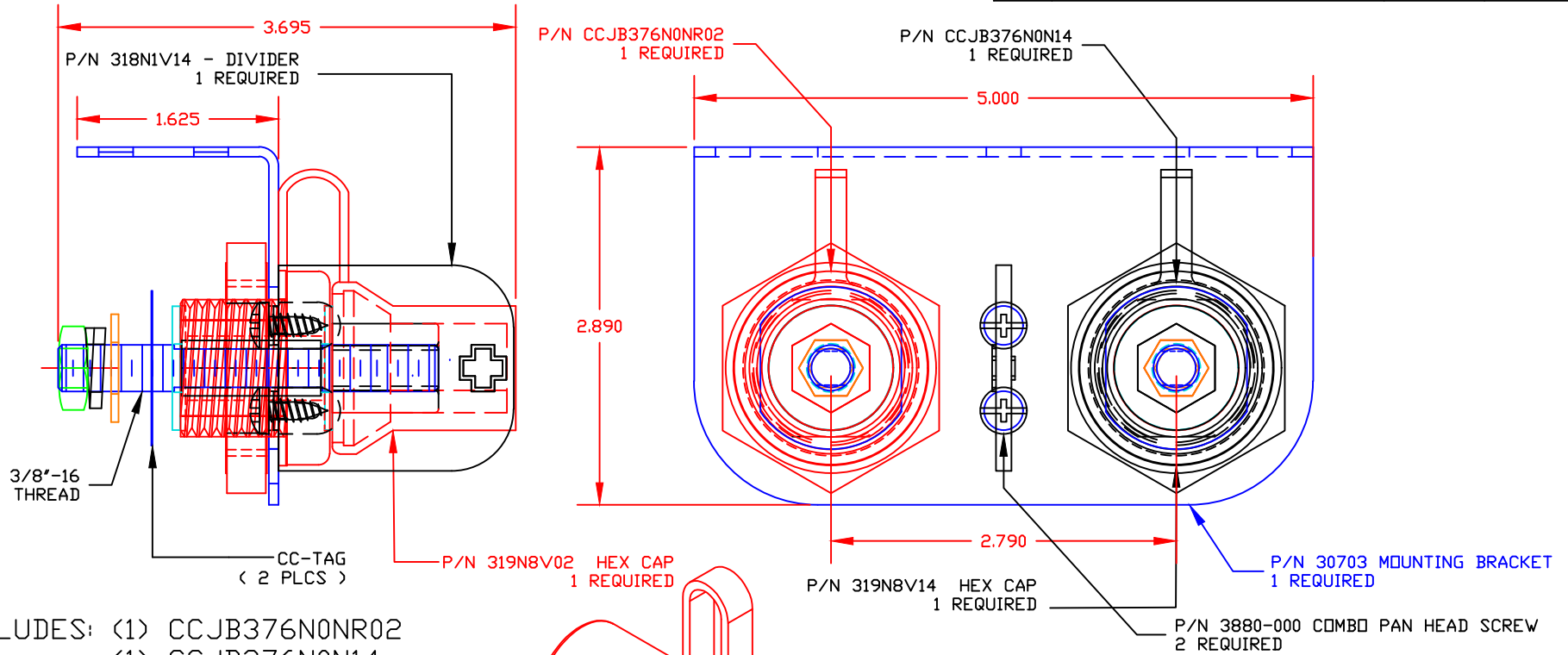
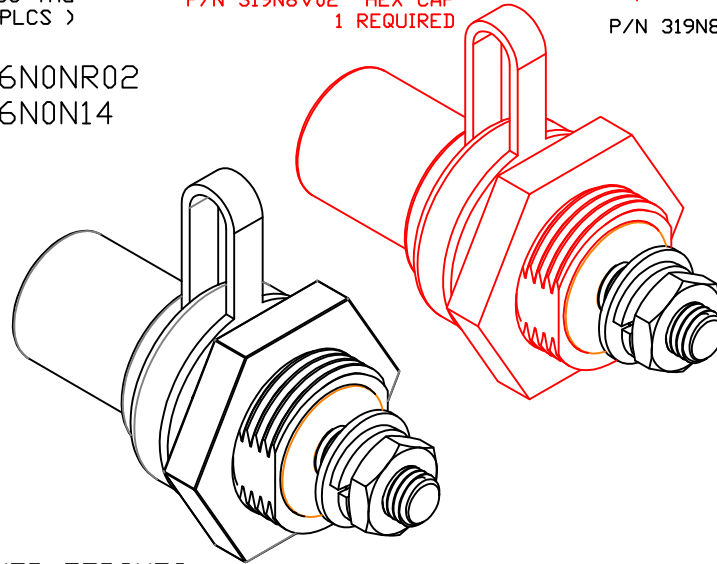


THE INFORMATION CONTAINED IN THIS DRAWING IS THE SOLE PROPERTY OF VTE INCORPORATED. ANY REPRODUCTION IN PART OR WHOLE WITHOUT THE WRITTEN PERMISSION OF VTE INCORPORATED IS PROHIBITED.

| LTR. | REVISIONS | DATE | INT. |
|------|-----------|------|------|
| | | | |
| | | | |




INCLUDES: (1) CCJB376N0NR02
 (1) CCJB376N0N14



TOLERANCE UNLESS OTHERWISE SPECIFIED:
 MOLDED PRODUCTS ONLY: $\pm 0.30''/\pm 0.8\text{mm}$
 HARDWARE ITEMS: $\pm 0.010''/\pm 0.25\text{mm}$
 RADIAL DIAMETERS TO BE MEASURED OVER MANDRELS,
 RING GAGES OR PIN GAGES OF SUITABLE SIZE

MAXIMUM FASTENER TORQUES:
 JAM NUTS: 212 IN-LBS [24.0 Nm]
 SEALING NUT: 120 IN-LBS [13.5 Nm]
 RECOMMENDED MAXIMUM AMPERAGE: 350 AMPS @ 12VDC

| | | | |
|---|-----------|---|---------------|
|  | | VTE Incorporated 5437 Robinson Road, P.O. Box 790 Pellston, Michigan 49769 Telephone: 1-800-527-9256, 231-539-8000 FAX: 231-539-0914 | |
| | | REF: | DATE: 6-01-18 |
| TITLE: COPPER CORE JUMPER BUSHING BRACKET MOUNT KIT | | CHK'D BY: PJK | SCALE: |
| MATERIAL: | | PART NO. CCJB37RBMK | |
| COLOR: | DRG CLASS | | |