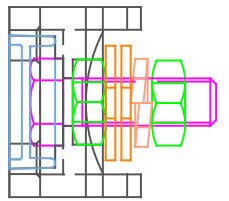
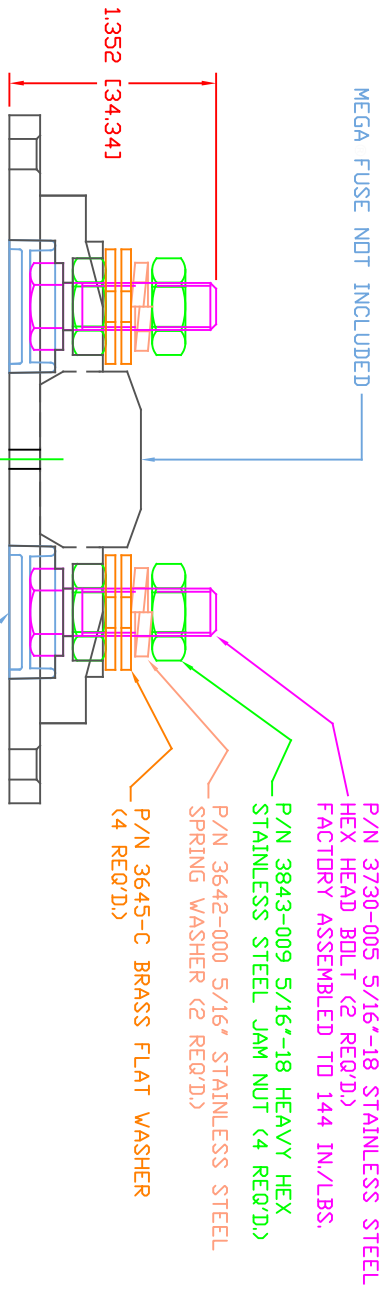
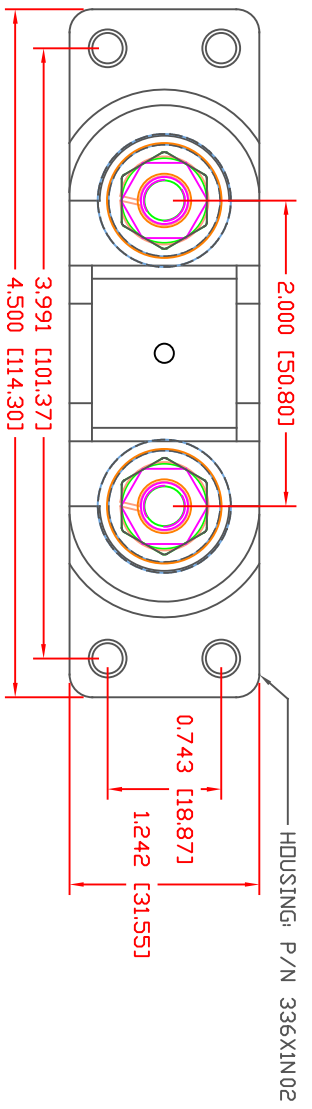


THE INFORMATION CONTAINED IN THIS DRAWING IS THE SOLE PROPERTY OF VTE INCORPORATED. ANY REPRODUCTION IN PART OR WHOLE WITHOUT THE WRITTEN PERMISSION OF VTE INCORPORATED IS PROHIBITED. VTE MAKES NO WARRANTY, EXPRESSED OR IMPLIED, AS TO THE SUITABILITY OF A PRODUCT FOR ANY INTENDED USE. THE CUSTOMER SHALL BEAR THE SOLE RESPONSIBILITY OF DETERMINING THE SUITABILITY OF ANY VTE PRODUCT FOR ITS END USE.




FUSE NDT INCLUDED ASSEMBLY INCLUDES: 2-405N9V14 TERMINAL INSULATORS

MATERIAL PART NO: 7111210502  
 MATERIAL: GLASS FILLED NYLON  
 VENDOR PART NO: HYLON N2015 HL NAT  
 SPECIFIC GRAVITY: 1.23  
 MELTING TEMP: 515 F [268 C]  
 U.L. RATING: UL 94 HB

5/16" NUT - MAXIMUM RECOMMENDED TORQUE: 144 IN./LBS. [16.2 Nm]

DD NDT SCALE

LR.	REVISIONS	DATE	INT.



**VTE Incorporated**  
 5437 Robinson Road, P.O. Box 790  
 Pellston, Michigan 49769  
 Telephone: 1-800-527-9256, 231-539-8000  
 FAX: 231-539-0914

REF: CUSTOMER DIMS	DATE: 12-7-21	DRN BY: RAS	RAS	WEIGHT:
TITLE: MEGA FUSE HOLDER	CHK'D BY: PJK			
MATERIAL: GLASS FILLED NYLON	PART NO: MF B736X1N02			
COLOR: RED	DRG CLASS			