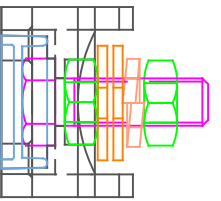
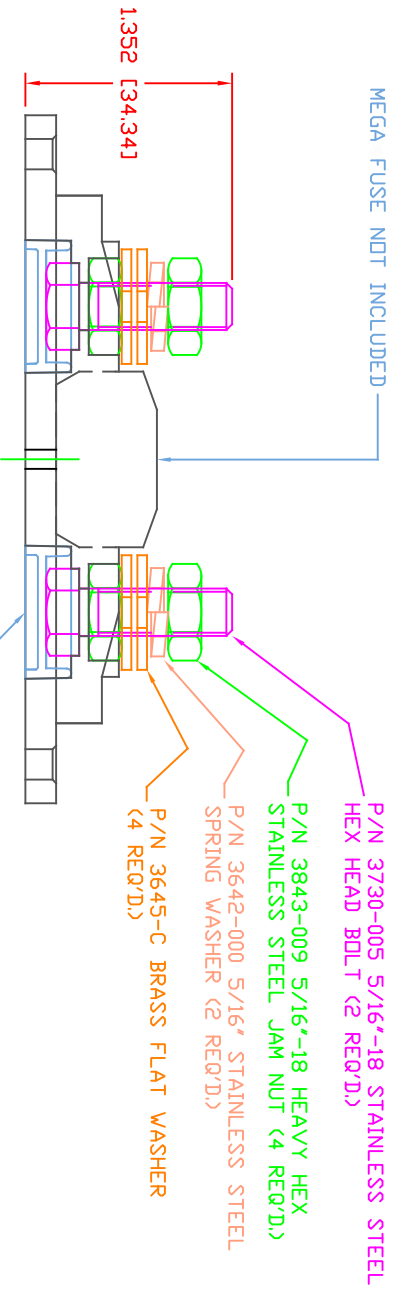
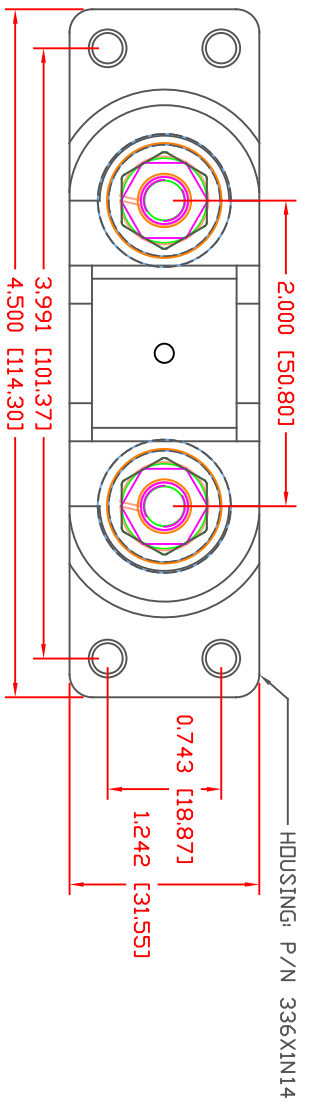


THE INFORMATION CONTAINED IN THIS DRAWING IS THE SOLE PROPERTY OF VTE INCORPORATED. ANY REPRODUCTION IN PART OR WHOLE WITHOUT THE WRITTEN PERMISSION OF VTE INCORPORATED IS PROHIBITED. VTE MAKES NO WARRANTY, EXPRESSED OR IMPLIED, AS TO THE SUITABILITY OF A PRODUCT FOR ANY INTENDED USE. THE CUSTOMER SHALL BEAR THE SOLE RESPONSIBILITY OF DETERMINING THE SUITABILITY OF ANY VTE PRODUCT FOR ITS END USE.




FUSE NDT INCLUDED
ASSEMBLY INCLUDES:
2-405N9V14 TERMINAL INSULATORS

MATERIAL PART NO:
111210514UL
GLASS FILLED NYLON
VENDOR PART NO:
HYLON N2015 HL BK
SPECIFIC GRAVITY:
1.23
MELTING TEMP:
515 F [268 C]
UL RATING:
UL 94 HB

5/16" NUT - MAXIMUM RECOMMENDED TORQUE: 144 IN./LBS. [16.2 Nm]

DD NDT SCALE

REV.	REVISIONS	DATE	INT.
1	REMOVED FACTORY TORQUE NOTE	7-15-24	RAS



VTE Incorporated
5437 Robinson Road, P.O. Box 790
Pellston, Michigan 49769
Telephone: 1-800-527-9256, 231-539-8000
FAX: 231-539-0914

REF: CUSTOMER DIMS	DATE: 12-7-21	DRN BY: RAS	RAS	WEIGHT:
TITLE: MEGA FUSE HOLDER		CHK'D BY: PJK		
MATERIAL: GLASS FILLED NYLON		PART NO:	MF B736X1N14	
COLOR: RED	DRG CLASS: REV A			