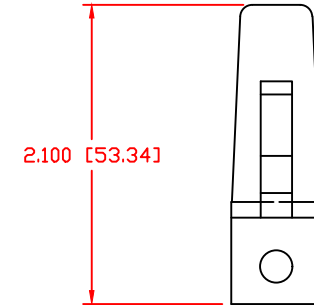
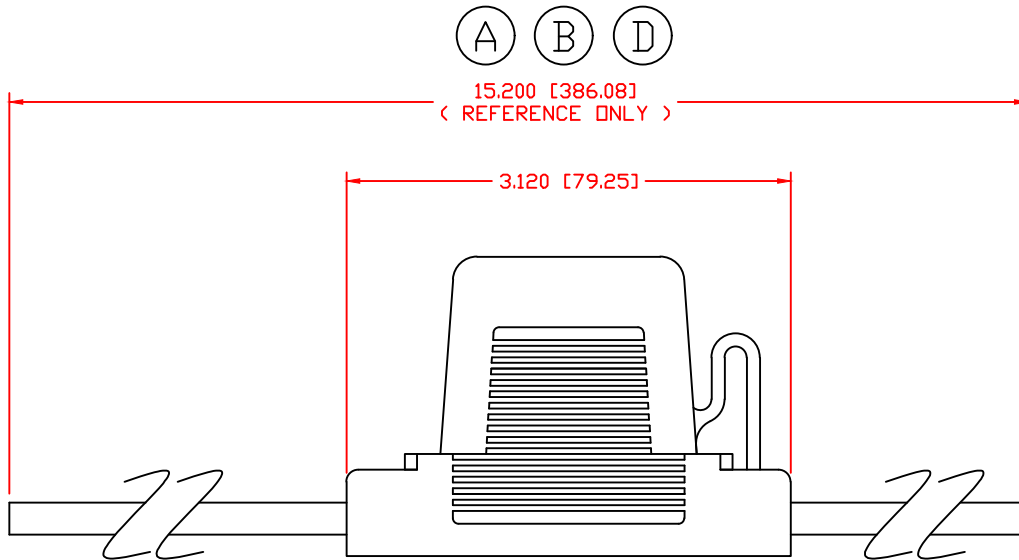
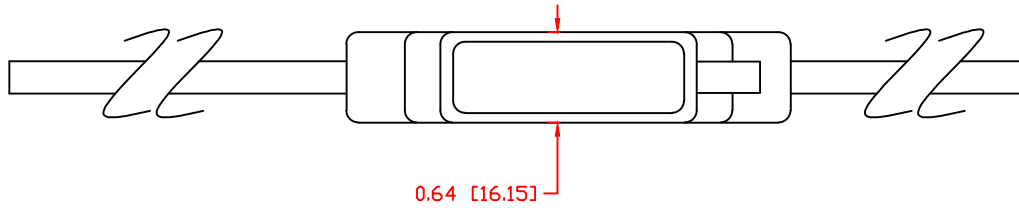


THE INFORMATION CONTAINED IN THIS DRAWING IS THE SOLE PROPERTY OF VTE INCORPORATED. ANY REPRODUCTION IN PART OR WHOLE WITHOUT THE WRITTEN PERMISSION OF VTE INCORPORATED IS PROHIBITED. VTE MAKES NO WARRANTY, EXPRESSED OR IMPLIED, AS TO THE SUITABILITY OF A PRODUCT FOR ANY INTENDED USE. THE CUSTOMER SHALL BEAR THE SOLE RESPONSIBILITY OF DETERMINING THE SUITABILITY OF ANY VTE PRODUCT FOR ITS END USE.

LTR.	REVISIONS	DATE	INT.
A	REVISED REF. DIM. TO AGREE WITH PARTS AS MFG'D.	25JUN10	BRH
B	UPDATED DIMENSION FROM 13.5" TO 15.2"	14OCT16	RAS
C	CHANGED FROM BARE COPPER TO TIN COATED COPPER	14JUN17	RAS
D	REMOVED +/- .0625 (1.58) TOLERANCE, ADDED ' REFERENCE ONLY '	10MAY18	RAS




ALL DIMENSIONS GIVEN AS: in [mm]  
 MOLDED PARTS: ±.030" [±0.8mm]  
 HARDWARE ITEMS: ±.010" [±0.25mm]

WIRE LEADS: 10 Ga.  
 (C) " Tin Coated " STRANDED COPPER,  
 PVC INSULATED, COLOR RED

NOTE: NOT SUITABLE FOR  
 CONTINUOUS DUTY  
 OVER 55 AMPS

DO NOT SCALE

		<b>VTE Incorporated</b> 5437 Robinson Road, P.O. Box 790 Pellston, Michigan 49769 Telephone: 1-800-527-9256, 231-539-8000 FAX: 231-539-0914	
		REF: CUSTOMER DIMS	DATE: 20MAR07
TITLE: MAXI <sup>®</sup> FUSEHOLDER 10 Ga.			
MATERIAL:		PART NO.	
COLOR:	DRG CLASS REV D	MXH933610R	