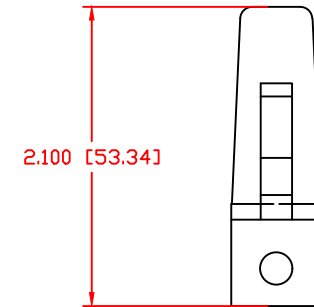
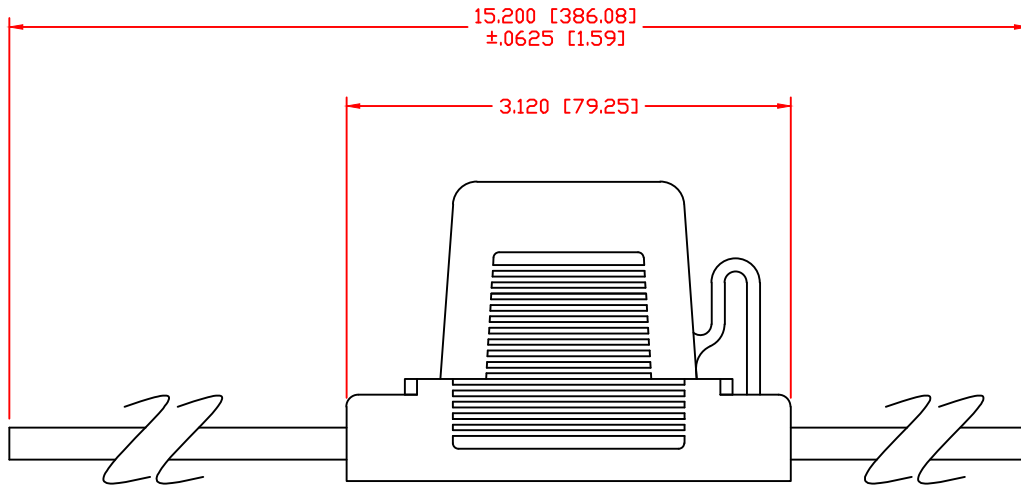
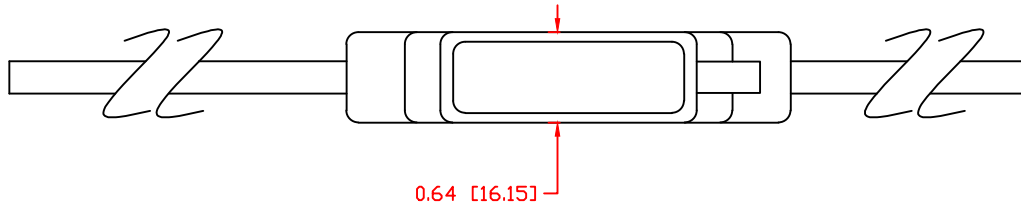


THE INFORMATION CONTAINED IN THIS DRAWING IS THE SOLE PROPERTY OF VTE INCORPORATED. ANY REPRODUCTION IN PART OR WHOLE WITHOUT THE WRITTEN PERMISSION OF VTE INCORPORATED IS PROHIBITED. VTE MAKES NO WARRANTY, EXPRESSED OR IMPLIED, AS TO THE SUITABILITY OF A PRODUCT FOR ANY INTENDED USE. THE CUSTOMER SHALL BEAR THE SOLE RESPONSIBILITY OF DETERMINING THE SUITABILITY OF ANY VTE PRODUCT FOR ITS END USE.

LTR.	REVISIONS	DATE	INT.



ALL DIMENSIONS GIVEN AS: In [mm]
 MOLDED PARTS: ±.030" [±0.8mm]
 HARDWARE ITEMS: ±.010" [±0.25mm]

WIRE LEADS: 10 Ga.
 BARE STRANDED COPPER,
 PVC INSULATED, RED

NOTE: NOT SUITABLE FOR
 CONTINUOUS DUTY
 OVER 55 AMPS

DO NOT SCALE

	VTE Incorporated 5437 Robinson Road, P.O. Box 790 Pellston, Michigan 49769 Telephone: 1-800-527-9256, 231-539-8000 FAX: 231-539-0914	
	REF: CUSTOMER DIMS DATE: 20MAR07 DRN BY: BRH CHK'D BY: BRH	WEIGHT:

TITLE: MAXI[®] FUSEHOLDER 10 Ga.	
MATERIAL:	PART NO. MXHC933610R
COLOR:	DRG CLASS