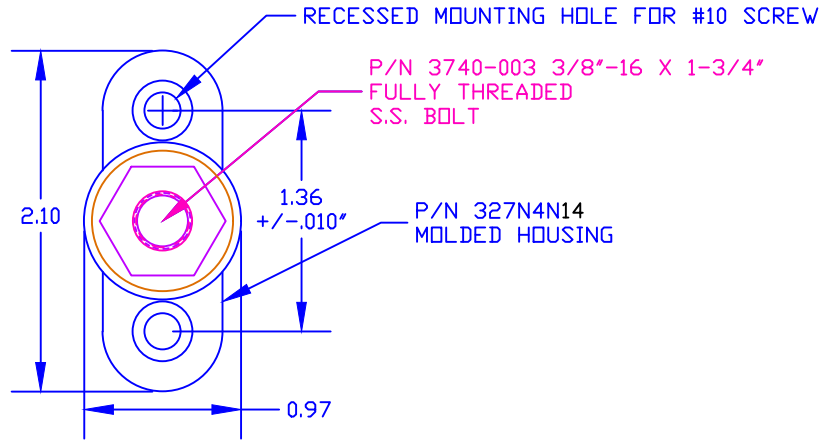
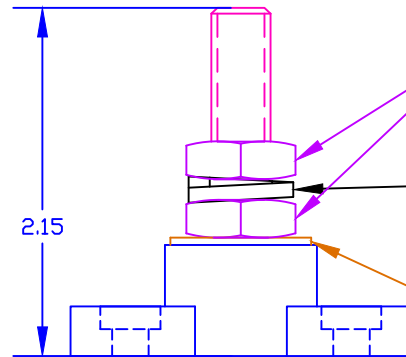
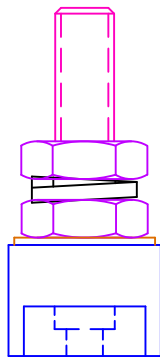
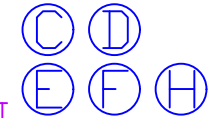


THE INFORMATION CONTAINED IN THIS DRAWING IS THE SOLE PROPERTY OF VTE INCORPORATED. ANY REPRODUCTION IN PART OR WHOLE WITHOUT THE WRITTEN PERMISSION OF VTE INCORPORATED IS PROHIBITED.

LTR.	REVISIONS	DATE	INT.
A	ADDED MATERIAL AND PERFORMANCE NOTES	22JAN04	BRH
B	REVISED PERFORMANCE NOTES	23FEB04	BRH
C	3844-002 WAS 3844	18MAY05	BRH
D	REPLACED (I)-3844-002 WITH (I)-3844-003	01SEP05	BRH
E	ADDED OPTIONAL CONSTRUCTION NOTE AND -000 SUFFIXES	04APR06	BRH
F	REMOVED OPTIONAL CONSTRUCTION NOTE	20OCT15	BRH
G	PN 329NOV** CHANGED TO PN 329NON**	24JUN16	MDL
H	3844-012 WAS 3844-003	11-07-16	JMM



DO NOT SCALE



P/N 3844-012 3/8"-16 STAINLESS STEEL HEAVY HEX JAM NUT FACTORY ASSEMBLED TO 15 FT./LBS (180 IN./LBS)

P/N 3638-000 3/8" STAINLESS STEEL SPRING WASHER

P/N 3646-000 3/8" STAINLESS FLAT WASHER


OPTIONAL CONSTRUCTION NOTE: COLOR OF BOLT CAVITY PLUG ON BOTTOM OF ASSEMBLY MAY VARY

P/N 329NON14 CAVITY PLUG (G)

TOLERANCE UNLESS OTHERWISE SPECIFIED: ±.030"/±0.8mm
RADIAL DIAMETERS TO BE MEASURED OVER MANDRELS,
RING GAGES OR PIN GAGES OF SUITABLE SIZE

BASE MATERIAL: GLASS-REINFORCED NYLON
 BASE MATERIAL U.L. RATING: 94 HB
 DIELECTRIC STRENGTH: 630 VOLTS/MIL PER ASTM D149
 CURRENT RATING: 250 AMPS
 TEMP. RISE AT LOAD: 46 DEG. F.
 RECOMMENDED MAXIMUM TORQUE: 12 FT./LBS. (144 IN./LBS.)





VTE Incorporated
 5437 Robinson Road, P.O. Box 790
 Pellston, Michigan 49769
 Telephone: 1-800-527-9256, 231-539-8000
 FAX: 231-539-0914

REF: ***	DATE: 09APR03	DRN BY: BRH	WEIGHT: ***
TITLE: 3/8" SMALL JUNCTION POST			SCALE: NONE
MATERIAL: NOTED		PART NO. SL77037XN14	
COLOR: BLACK	DRG CLASS		