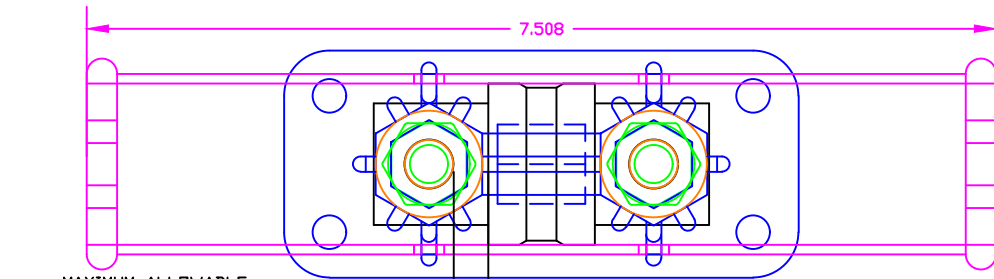


THE INFORMATION CONTAINED IN THIS DRAWING IS THE SOLE PROPERTY OF VTE INCORPORATED. ANY REPRODUCTION IN PART OR WHOLE WITHOUT THE WRITTEN PERMISSION OF VTE INCORPORATED IS PROHIBITED.

LTR.	REVISIONS	DATE	INT.
A	3740-006 WAS 3740-001	15-11-05	BRH
B	333NO WAS 329NO, REN. 3740-006, 3740-007, ADDED 3740-008 AND 3844-002	03-08-06	BRH
C	751N8V00 WAS 351N8V00	04-23-13	BRH
D	REPLACED P/N 3844-002 WITH P/N 3844-009	03-18-16	RAS
E	PN 333NOV** CHANGED TO 333NON**	08-22-16	MDL
F	UPDATED COVER INFO	03-17-17	RAS



MAXIMUM ALLOWABLE
TERMINAL CLEARANCE FROM
EDGE OF STUD HOLE TO BODY
OF FUSE
0.285

P/N 3740-008
3/8"-16X2-1/2" STAINLESS STEEL
HEX HEAD BOLT (2 REQ'D.)

P/N 751N8P00 ASSEMBLY
CLEAR MOLDED COVER
CONTAINS PART#S : 351N8P00
16803040001

P/N 3638-000
3/8" S.S. SPRING WASHER
(2 REQ'D.)

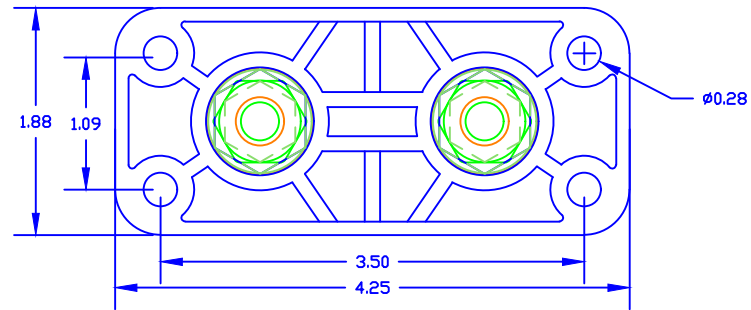
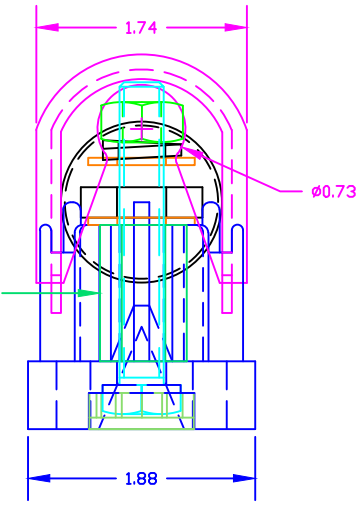
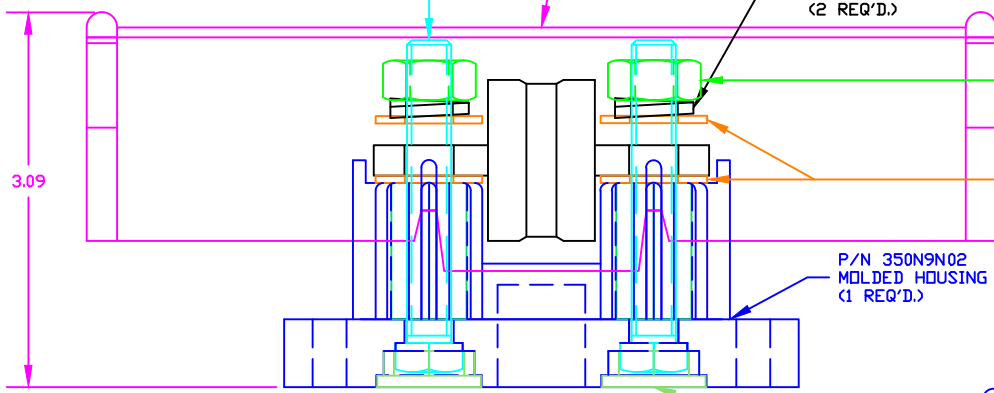
3844-002 3/8"-16 HEAVY HEX NUT
STAINLESS STEEL

P/N 3646-000
STAINLESS STEEL FLAT WASHER
(4 REQ'D.)

P/N 350N9N02
MOLDED HOUSING
(1 REQ'D.)

P/N 3871-000
STEEL STANDOFF
(2 REQ'D.)

P/N 333NON02
HEX CAVITY PLUG
(2 REQ'D.)



TOLERANCE UNLESS OTHERWISE SPECIFIED: ±.030"/±0.8mm
RADIAL DIAMETERS TO BE MEASURED OVER MANDRELS,
RING GAGES OR PIN GAGES OF SUITABLE SIZE

INCLUDES FUSE #TF335400
BASE MATERIAL: GLASS-REINFORCED NYLON
BASE MATERIAL U.L. RATING: 94 HB
BASE COLOR: RED

VTE Incorporated
5437 Robinson Road, P.O. Box 790
Pellston, Michigan 49769
Telephone: 1-800-527-9256, 231-539-8000
FAX: 231-539-0914

REF:	DATE: 06-14-05	DRN BY: BRH	WEIGHT: .991 LBS [450 g]
TITLE: *T* CLASS FUSEHOLDER ASSY.			SCALE:
MATERIAL:		PART NO. TFB740002	
COLOR:	DRG CLASS		