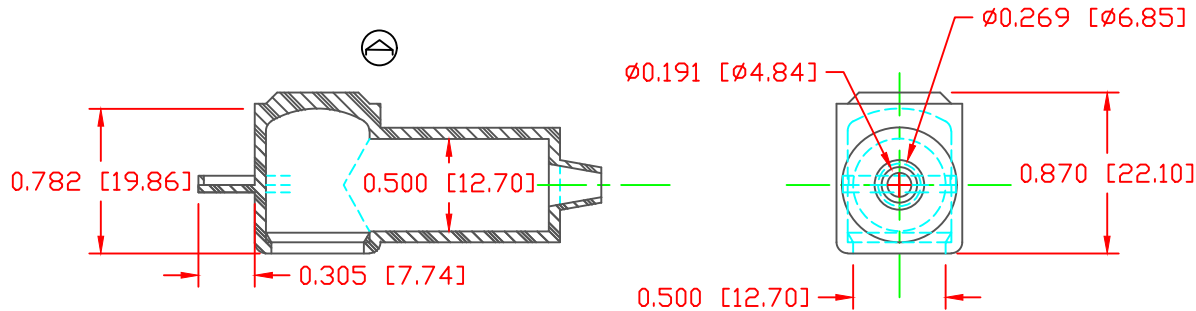


THE INFORMATION CONTAINED IN THIS DRAWING IS THE SOLE PROPERTY OF VTE INCORPORATED. ANY REPRODUCTION IN PART OR WHOLE WITHOUT THE WRITTEN PERMISSION OF VTE INCORPORATED IS PROHIBITED. VTE MAKES NO WARRANTY, EXPRESSED OR IMPLIED, AS TO THE SUITABILITY OF A PRODUCT FOR ANY INTENDED USE. THE CUSTOMER SHALL BEAR THE SOLE RESPONSIBILITY OF DETERMINING THE SUITABILITY OF ANY VTE PRODUCT FOR ITS END USE.

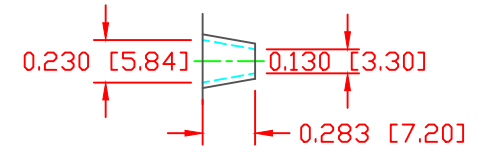
LTR.	REVISIONS	DATE	INT.
⌒	UPDATED OVERALL DIMENSIONS	08-27-14	JC
Ⓕ	ADDED REFERENCE DIMENSION	02-22-16	RAS



SECTION A-A

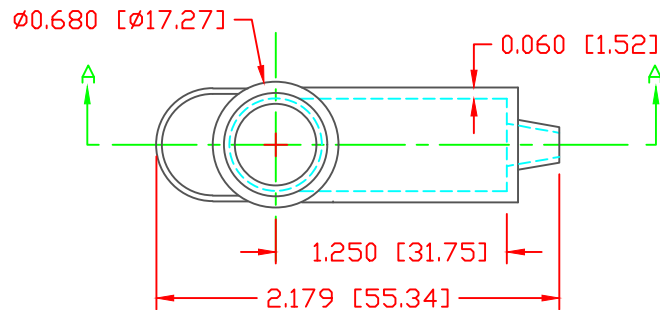
TYP. WALL THICKNESS = .060" [1.5]

SEAL NO. 1 SHOWN



SEAL THICKNESS = .030" [.8]

NO. 1
Wire Gages
18 - 10



REFERENCE DIMENSION

SCALE FACTOR : NONE
ALL DIMENSIONS GIVEN AS: in [mm]
TOLERANCES UNLESS OTHERWISE SPECIFIED :
MOLDED PARTS: ±.030" [±0.8mm]
ALL ANGLES ARE ± 1 DEGREE

MATERIAL PART NO:	1101650102
MATERIAL:	PVC
VENDOR PART NO:	9812-65-RED 683
SHORE DUREMETER:	"A" 10 SEC. 65
SPECIFIC GRAVITY:	1.34
ULT. ELONGATION %:	400
MELTING TEMP:	315-335 F [157-168 C]
BRITTLE TEMP:	-54 F [-48 C]
Tensile Strength PSI:	1550 PSI
Dielectric Strength, v./mil:	511
U.L. Rating:	V2

DO NOT SCALE

VTE Incorporated		5437 Robinson Road, P.O. Box 790 Pellston, Michigan 49769 Telephone: 1-800-527-9256, 231-539-8000 FAX: 231-539-0914	
REF:	DATE:	DRN BY: JC	WEIGHT:
GA DIMS	10-05-93	CHK'D BY: JC	.014 LBS [6.12 g]
TITLE: TERMINAL INSULATOR BOOT			
MATERIAL: PVC		PART NO.	
COLOR: RED		214E1V02	
DRG CLASS REV B			