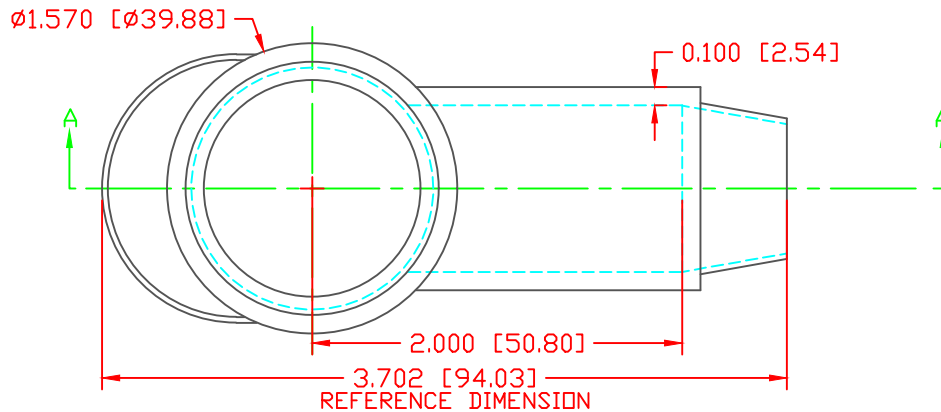
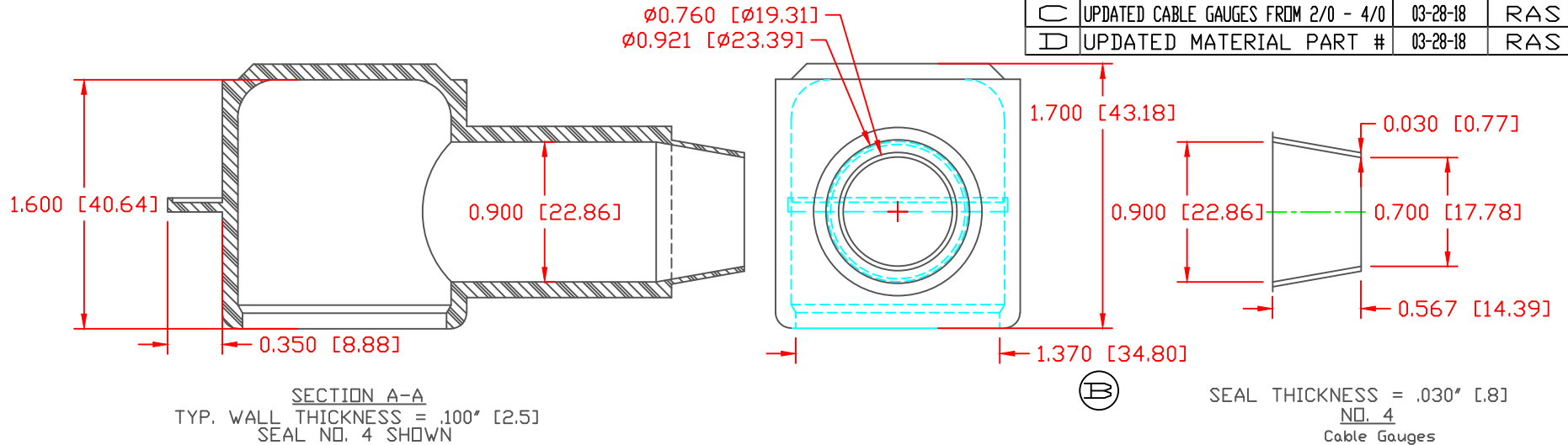


THE INFORMATION CONTAINED IN THIS DRAWING IS THE SOLE PROPERTY OF VTE INCORPORATED. ANY REPRODUCTION IN PART OR WHOLE WITHOUT THE WRITTEN PERMISSION OF VTE INCORPORATED IS PROHIBITED. VTE MAKES NO WARRANTY, EXPRESSED OR IMPLIED, AS TO THE SUITABILITY OF A PRODUCT FOR ANY INTENDED USE. THE CUSTOMER SHALL BEAR THE SOLE RESPONSIBILITY OF DETERMINING THE SUITABILITY OF ANY VTE PRODUCT FOR ITS END USE.

LTR.	REVISIONS	DATE	INT.
A	ADDED REFERENCE DIMENSION	02-25-16	RAS
B	REVISED DIMENSION FROM 1.310 [33.27]	03-08-18	RAS
C	UPDATED CABLE GAUGES FROM 2/0 - 4/0	03-28-18	RAS
D	UPDATED MATERIAL PART #	03-28-18	RAS




SEAL THICKNESS = .030" [.8]
NO. 4
Cable Gauges
3/0 - 4/0

PREFERRED VENDOR:
PART NO:
MATERIAL:
VENDOR PART NO:
SPECIFIC GRAVITY:
HARDNESS 10 SEC:
HARDNESS SCALE:
TENSILE STRENGTH, PSI:
ELONGATION, %:
TEAR STRENGTH, PPI:
FLAME CLASS UL:
MELT TEMP., DEGREES F [C]:
DIELECTRIC STRENGTH, V./MIL:

SYLVIN
1101700109
BLUE PVC
9067-70 BLUE 1812
1.36
70
A
1100
310
200
HB
320-340 [160-171]
N/A

ALL DIMENSIONS GIVEN AS: in [mm]
MOLDED PARTS: ±.030" [±0.8mm]
HARDWARE ITEMS: ±.010" [±0.25mm]

		VTE Incorporated 5437 Robinson Road, P.O. Box 790 Pellston, Michigan 49769 Telephone: 1-800-527-9256, 231-539-8000 FAX: 231-539-0914	
		REF: GA DIMS	DATE: 03-25-98
TITLE: TERMINAL INSULATOR CAP			
MATERIAL: PVC		PART NO. 234N4V09	
COLOR: BLUE	DRG CLASS	REV D	

DO NOT SCALE