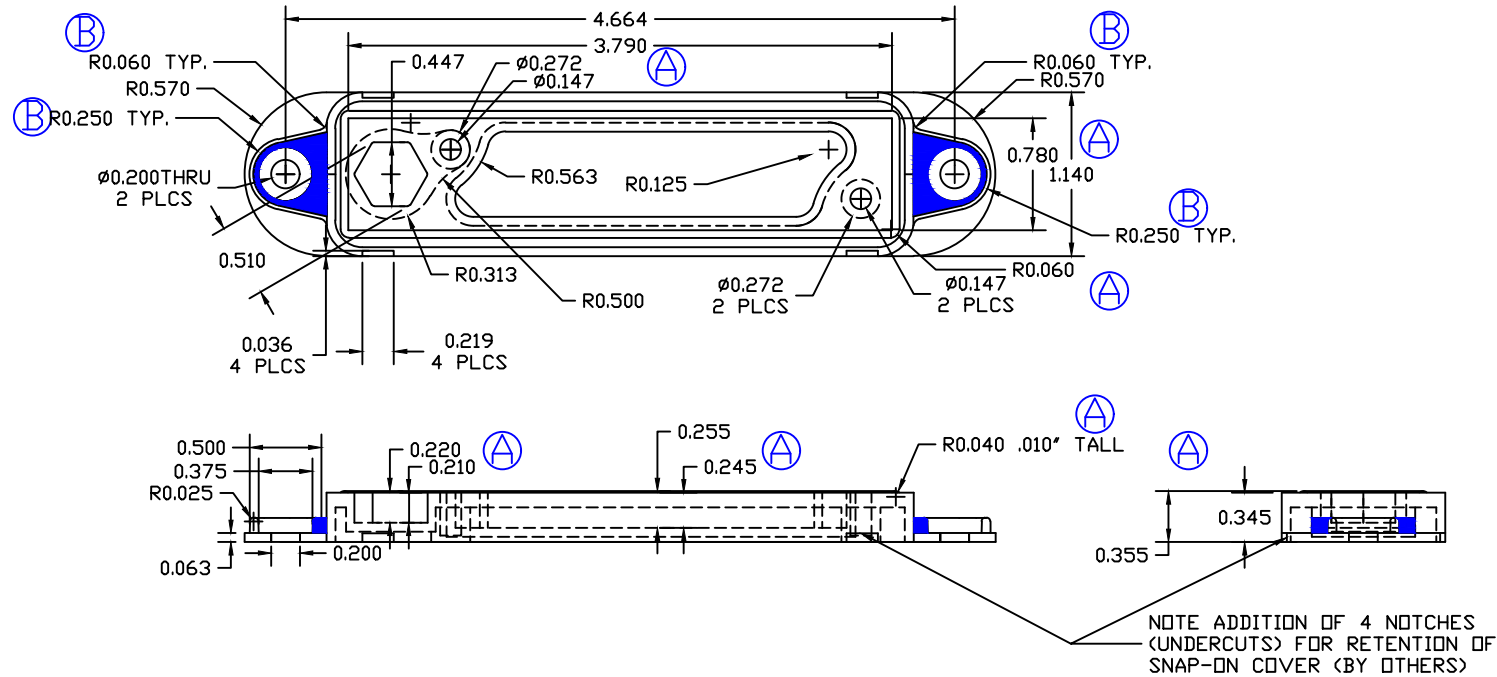


THE INFORMATION CONTAINED IN THIS DRAWING IS THE SOLE PROPERTY OF VTE INCORPORATED. ANY REPRODUCTION IN PART OR WHOLE WITHOUT THE WRITTEN PERMISSION OF VTE INCORPORATED IS PROHIBITED. VTE MAKES NO WARRANTY, EXPRESSED OR IMPLIED, AS TO THE SUITABILITY OF A PRODUCT FOR ANY INTENDED USE. THE CUSTOMER SHALL BEAR THE SOLE RESPONSIBILITY OF DETERMINING THE SUITABILITY OF ANY VTE PRODUCT FOR ITS END USE.

LTR.	REVISIONS	DATE	INT.
△	.355 WAS .315, .345 WAS .305, .255 WAS .215, .245 WAS .205, .220 WAS .180, .210 WAS .170 ADDED DIMENSIONS FOR FEATURE LINE ON FACE SURFACE	12AUG05	BRH
ⓑ	ADDED R. 0.060*4 PLCS, , R.0.250* WAS .500*	14JUN07	BRH

P/N 31225 N02 BASEPLATE



ALL DIMENSIONS GIVEN AS: In [mm]
 MOLDED PARTS: ± 0.030 " [± 0.8 mm]
 HARDWARE ITEMS: ± 0.010 " [± 0.25 mm]

VTE PART NO:
 MATERIAL:
 VENDOR PART NO:
 SPECIFIC GRAVITY:
 MELTING TEMP:
 U.L. RATING:

1111210515UL
 GLASS FILLED NYLON
 DURETHANE BKV 15 H 3.0 000000
 1.23
 415 F [213 C]
 UL 94 HB



VTE Incorporated
 5437 Robinson Road, P.O. Box 790
 Pellston, Michigan 49769
 Telephone: 1-800-527-9256, 231-539-8000
 FAX: 231-539-0914

REF:	DATE:	DRN BY:	BRH	WEIGHT:
QA DIMS	27JUN05	CHK'D BY:	BRH	19 G. / .042 LBS.
TITLE: 1/4" 12 WAY CONTACT BLOCK BASE				
MATERIAL: GLASS FILLED NYLON			PART NO.	
COLOR: RED			31225 N02	
		DRG CLASS		

DO NOT SCALE