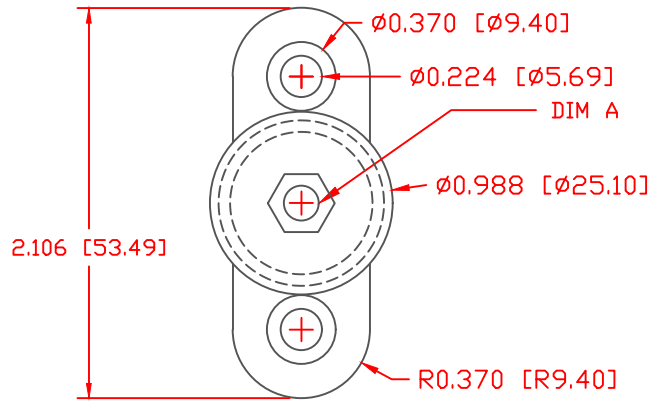
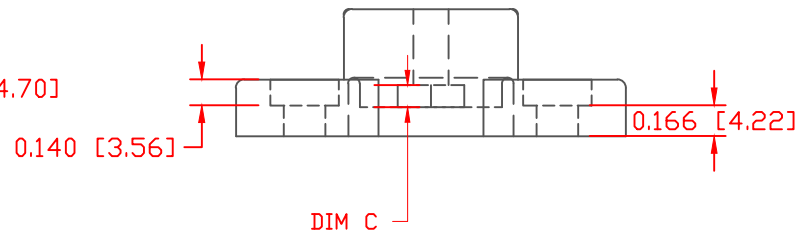
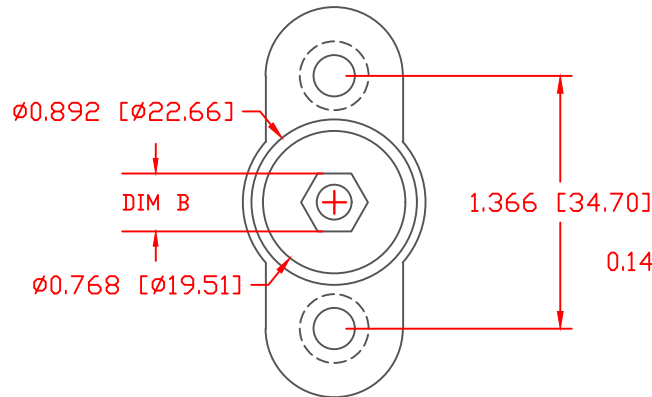
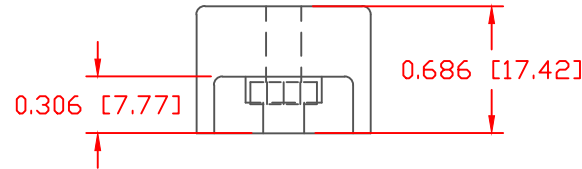


THE INFORMATION CONTAINED IN THIS DRAWING IS THE SOLE PROPERTY OF VTE INCORPORATED. ANY REPRODUCTION IN PART OR WHOLE WITHOUT THE WRITTEN PERMISSION OF VTE INCORPORATED IS PROHIBITED. VTE MAKES NO WARRANTY, EXPRESSED OR IMPLIED, AS TO THE SUITABILITY OF A PRODUCT FOR ANY INTENDED USE. THE CUSTOMER SHALL BEAR THE SOLE RESPONSIBILITY OF DETERMINING THE SUITABILITY OF ANY VTE PRODUCT FOR ITS END USE.

LTR.	REVISIONS	DATE	INT.
△	.497" WAS .482"	02-08-06	BRH



	*	DIM A	DIM B	DIM C	STUD
327N	1	.190"	.313"	.120"	#10
327N	2	.256"	.447"	.170"	1/4"
327N	3	.318"	.497"	.228"	5/16"
327N	4	.375"	.558"	.266"	3/8"




ALL DIMENSIONS GIVEN AS: In[mm]  
 MOLDED COMPONENTS: ±.030" [±0.8mm]  
 HARDWARE ITEMS: .010" [±.25mm]

VTE PART NO:  
 MATERIAL:  
 VENDOR PART NO:  
 SPECIFIC GRAVITY:  
 MELTING TEMP:  
 U.L. RATING:

7111210505  
 GLASS FILLED NYLON  
 DURETHANE BKV 15 H 3.0 000000  
 1.23  
 415 F [213 C]  
 UL 94 HB

DO NOT SCALE



**VTE Incorporated**  
 5437 Robinson Road, P.O. Box 790  
 Pellston, Michigan 49769  
 Telephone: 1-800-527-9256, 231-539-8000  
 FAX: 231-539-0914

REF: GA DIMS	DATE: 11-20-03	DRN BY: BRH	WEIGHT:
		CHK'D BY: BRH	
TITLE: POST TYPE JUNCTION BLOCK			
MATERIAL: GLASS FILLED NYLON		PART NO. 327N1N05	
COLOR: YELLOW	DRG CLASS REV A		