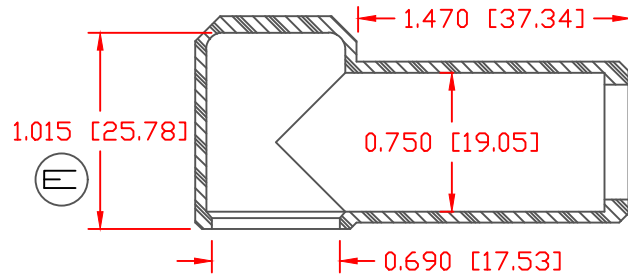
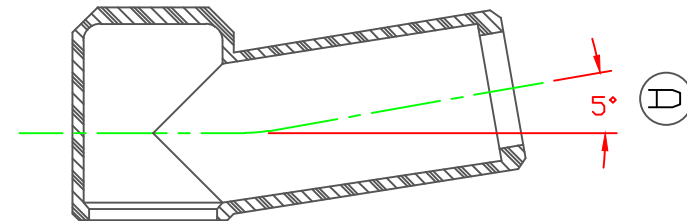
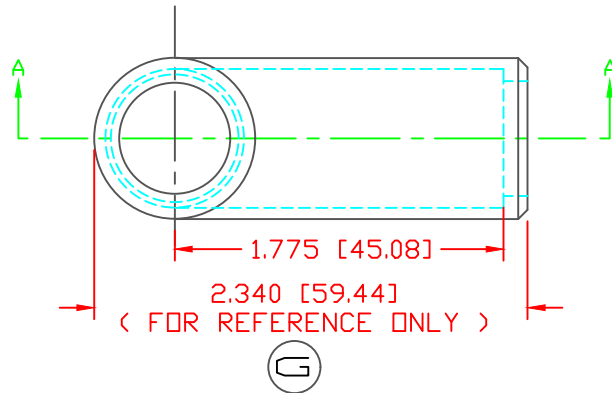
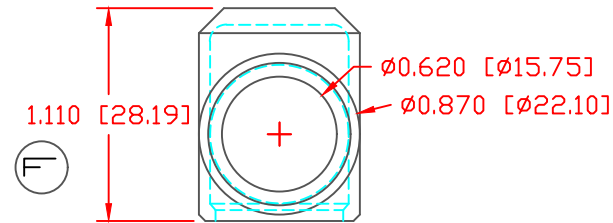


THE INFORMATION CONTAINED IN THIS DRAWING IS THE SOLE PROPERTY OF VTE INCORPORATED. ANY REPRODUCTION IN PART OR WHOLE WITHOUT THE WRITTEN PERMISSION OF VTE INCORPORATED IS PROHIBITED. VTE MAKES NO WARRANTY, EXPRESSED OR IMPLIED, AS TO THE SUITABILITY OF A PRODUCT FOR ANY INTENDED USE. THE CUSTOMER SHALL BEAR THE SOLE RESPONSIBILITY OF DETERMINING THE SUITABILITY OF ANY VTE PRODUCT FOR ITS END USE.

LTR.	REVISIONS	DATE	INT.
A	ADDED 10 DEGREE VIEW AND NOTES	01-07-02	BRH
B	REMOVED ALTERNATE PART NUMBER NOTE	05-24-16	RAS
C	UPDATED MATERIAL WEIGHT FROM .022 LBS [9.48 G]	08-30-16	RAS
D	UPDATED DEGREE TOLERANCE FROM 10 DEG	10-18-17	RAS
E	REVISED DIMENSION FROM 1.060 [26.92]	10-19-17	RAS
F	REVISED DIMENSION FROM 1.150 [29.21]	10-19-17	RAS
G	ADDED 'REFERENCE ONLY' NOTE TO LENGTH DIMENSION	10-18-17	RAS



SECTION A-A
 TYP. WALL THICKNESS = .060" [1.5]
 TYP. BEVEL = 45°




SECTION A-A
 ALLOWABLE DISTORTION

SCALE FACTOR : NONE
 ALL DIMENSIONS GIVEN AS: in [mm]
 TOLERANCES UNLESS OTHERWISE SPECIFIED :
 MOLDED PARTS: ±.030" [±0.8mm]
 ALL ANGLES ARE ± 1 DEGREE

MATERIAL PART NO:	1101700109
MATERIAL:	PVC
VENDOR PART NO:	9067-70-BLUE 1812
SHORE DUREMETER:	"A" 10 SEC. 70
SPECIFIC GRAVITY:	1.36
ULT. ELONGATION %:	310
MELTING TEMP:	320-340 F [160-171 C]
TENSILE STRENGTH PSI:	1100
U.L. RATING:	HB

DO NOT SCALE

		VTE Incorporated 5437 Robinson Road, P.O. Box 790 Pellston, Michigan 49769 Telephone: 1-800-527-9256, 231-539-8000 FAX: 231-539-0914	
		REF: QA DIMS	DATE: 03-27-98
TITLE: EYELET TERMINAL INSULATOR BOOT		PART NO. 407N8V09	
MATERIAL: PVC	DRG CLASS: REV G	PART NO. 407N8V09	
COLOR: BLUE	DRG CLASS: REV G	PART NO. 407N8V09	