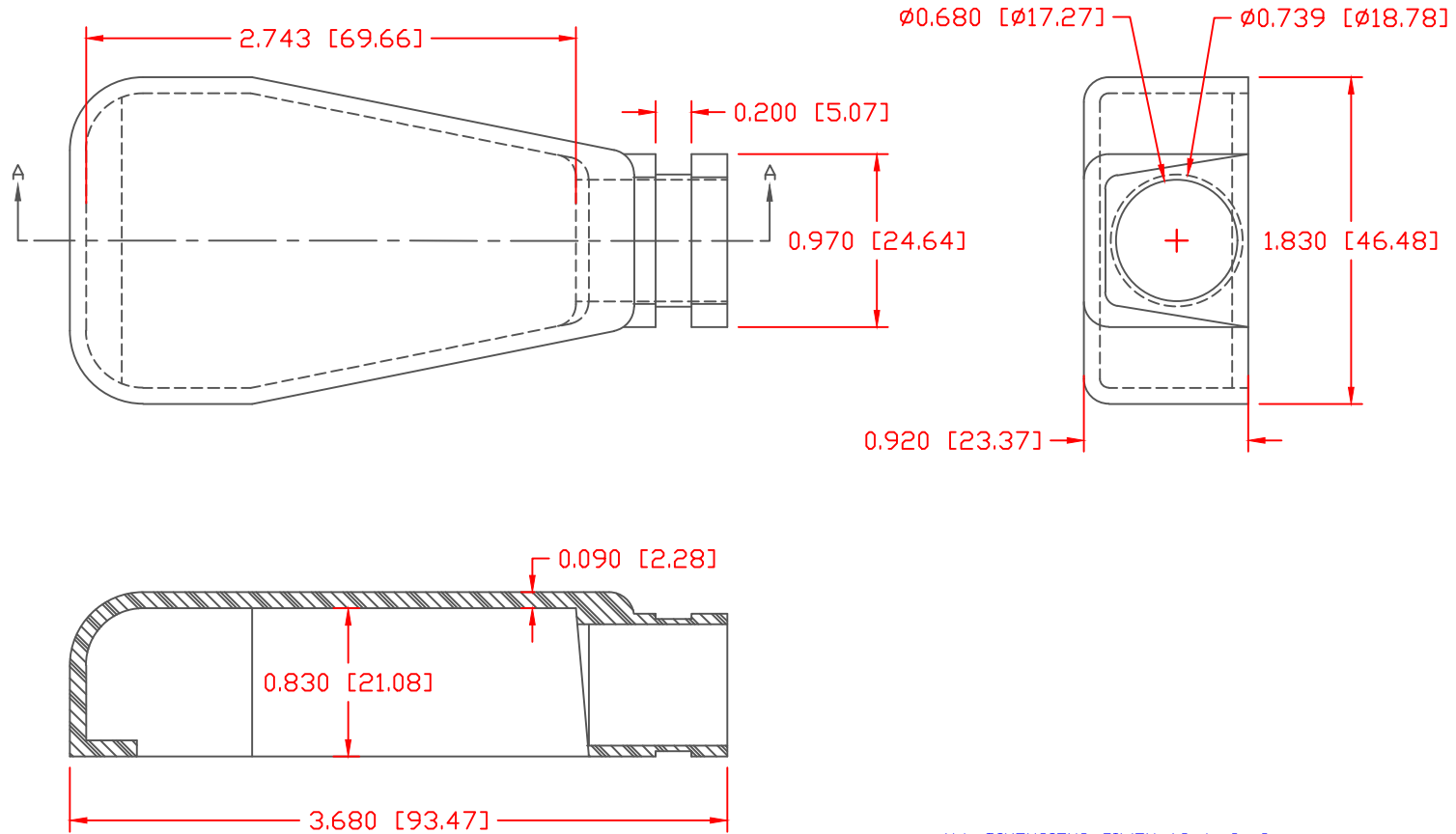


THE INFORMATION CONTAINED IN THIS DRAWING IS THE SOLE PROPERTY OF VTE INCORPORATED. ANY REPRODUCTION IN PART OR WHOLE WITHOUT THE WRITTEN PERMISSION OF VTE INCORPORATED IS PROHIBITED. VTE MAKES NO WARRANTY, EXPRESSED OR IMPLIED, AS TO THE SUITABILITY OF A PRODUCT FOR ANY INTENDED USE. THE CUSTOMER SHALL BEAR THE SOLE RESPONSIBILITY OF DETERMINING THE SUITABILITY OF ANY VTE PRODUCT FOR ITS END USE.

| LTR. | REVISIONS | DATE | INT. |
|------|-----------|------|------|
| | | | |



SECTION A-A
TYP. WALL THICKNESS = .090" [2.3]

| | |
|-----------------------|-----------------------|
| VTE PART NO: | 1101650109 |
| MATERIAL: | PVC |
| VENDOR PART NO: | 9067-70-BLUE 1812 |
| SHORE DUREMETER: | "A" 10 SEC. 70 |
| SPECIFIC GRAVITY: | 1.36 |
| ULT. ELONGATION %: | 310 |
| MELTING TEMP: | 320-340 F [160-171 C] |
| TENSILE STRENGTH PSI: | 1100 |
| U.L. RATING: | HB |

ALL DIMENSIONS GIVEN AS: In [mm]
MOLDED PARTS: ±.030" [±0.8mm]
HARDWARE ITEMS: ±.010" [±0.25mm]



VTE Incorporated
5437 Robinson Road, P.O. Box 790
Pellston, Michigan 49769
Telephone: 1-800-527-9256, 231-539-8000
FAX: 231-539-0914

| | | | |
|-----------|----------|---------|-------------------|
| REF: | DATE: | DRN BY: | WEIGHT: |
| QA DIMS | 03-30-98 | JC | .063 LBS [28.5 g] |
| CHK'D BY: | | JC | |

TITLE: BATTERY CABLE BOOT

| | |
|---------------|----------|
| MATERIAL: PVC | PART NO. |
| COLOR: BLUE | 430N8V09 |
| DRG CLASS | |

DO NOT SCALE