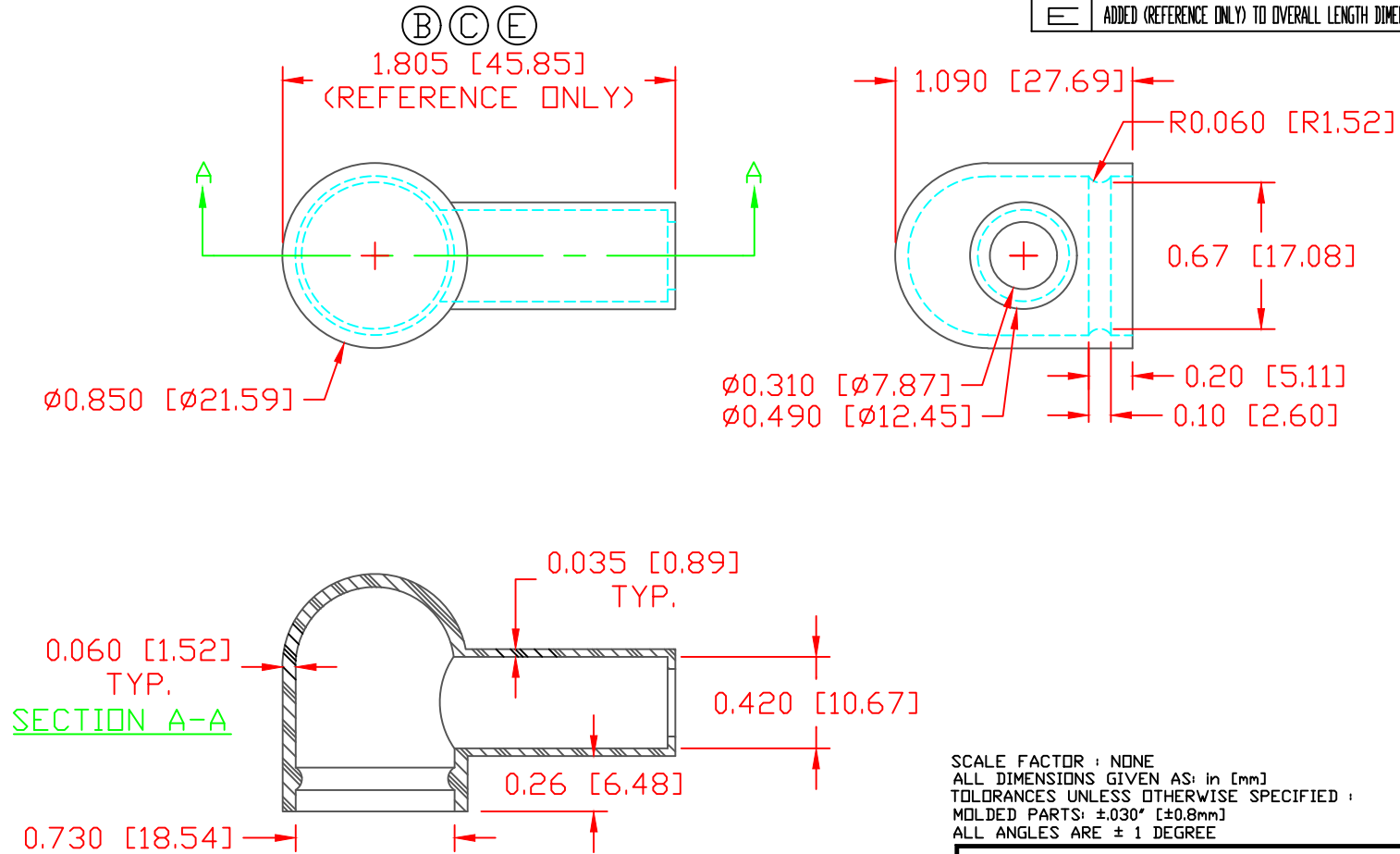



THE INFORMATION CONTAINED IN THIS DRAWING IS THE SOLE PROPERTY OF VTE INCORPORATED. ANY REPRODUCTION IN PART OR WHOLE WITHOUT THE WRITTEN PERMISSION OF VTE INCORPORATED IS PROHIBITED. VTE MAKES NO WARRANTY, EXPRESSED OR IMPLIED, AS TO THE SUITABILITY OF A PRODUCT FOR ANY INTENDED USE. THE CUSTOMER SHALL BEAR THE SOLE RESPONSIBILITY OF DETERMINING THE SUITABILITY OF ANY VTE PRODUCT FOR ITS END USE.

LTR.	REVISIONS	DATE	INT.
A	MATERIAL NOTES REVISED	5-07-02	JC
B	REVISED TO AGREE WITH PARTS AS MFG.	4-04-03	JC
C	UPDATED DIMENSION	10-11-16	RAS
D	UPDATED DIMS TO IN [MM]	02-27-17	JMM
E	ADDED (REFERENCE ONLY) TO OVERALL LENGTH DIMENSION	12-18-17	RAS



SCALE FACTOR : NONE  
 ALL DIMENSIONS GIVEN AS: in [mm]  
 TOLERANCES UNLESS OTHERWISE SPECIFIED :  
 MOLDED PARTS:  $\pm 0.030$ " [ $\pm 0.8$ mm]  
 ALL ANGLES ARE  $\pm 1$  DEGREE

MATERIAL PART NO:	1101700109
MATERIAL:	PVC
VENDOR PART NO:	9067-70-BLUE 1812
SHORE DUREMETER:	"A" 10 SEC. 70
SPECIFIC GRAVITY:	1.36
ULT. ELONGATION %:	310
MELTING TEMP:	320-340 F [160-171 C]
TENSILE STRENGTH PSI:	1100
U.L. RATING:	HB

		<b>VTE Incorporated</b> 5437 Robinson Road, P.O. Box 790 Pellston, Michigan 49769 Telephone: 1-800-527-9256, 231-539-8000 FAX: 231-539-0914	
		REF: QA DIMS	DATE: 4-8-98
TITLE: ALTERNATOR BOOT		CHK'D BY:	
MATERIAL: PVC	PART NO. 800N8V09		
COLOR: BLUE	DRG CLASS: REV E		