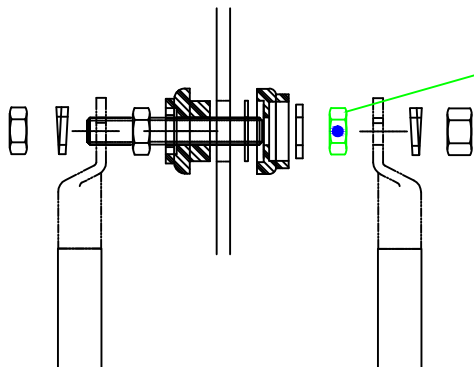


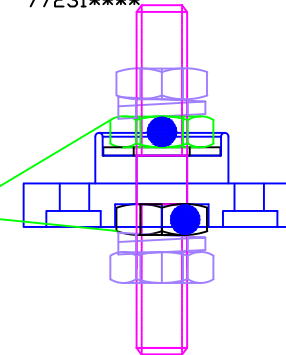
BLUE DOT TECHNOLOGY APPLIES TO THE PRODUCTS BELOW.
 THESE INDICATED COMPONENTS ARE CRITICAL TO THE PERFORMANCE OF THE PRODUCTS.
 THESE COMPONENTS MUST BE INSTALLED IN THE POSITION SHOWN, AS SHIPPED FROM THE FACTORY.
 BLUE DOT ITEMS ARE TYPICALLY PLATED OR UNPLATED BRASS. DO NOT OVERTIGHTEN.

POWER BUSHINGS VTE SERIES #'S 7B505**** AND 7B373****



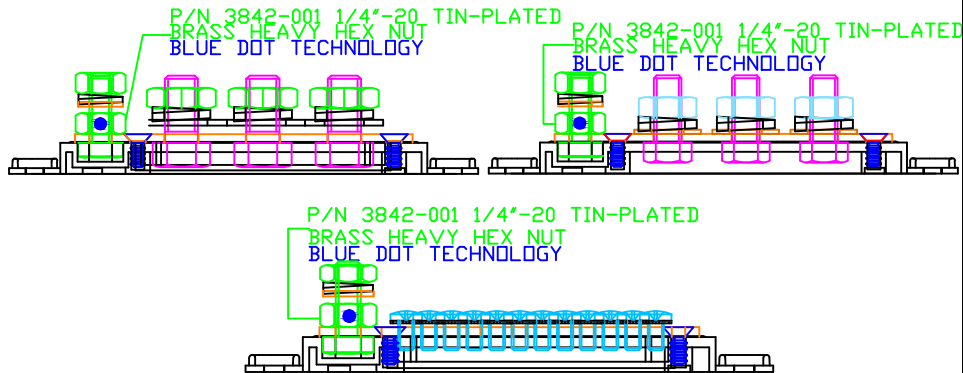
BRASS JAM NUT
 BLUE DOT
 TECHNOLOGY

PASS-THRU POWER POST VTE SERIES #'S 77237****
 77231****



3/8"-16 HEAVY HEX JAM NUT,
 TIN-PLATED BRASS 2 PLCS.
 BLUE DOT TECHNOLOGY

BUSBAR CONNECTORS VTE SERIES #'S 7704***, 7705***, 7712****

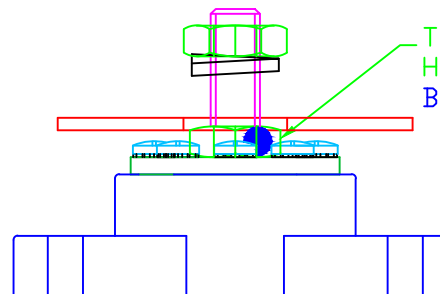


P/N 3842-001 1/4"-20 TIN-PLATED
 BRASS HEAVY HEX NUT
 BLUE DOT TECHNOLOGY

P/N 3842-001 1/4"-20 TIN-PLATED
 BRASS HEAVY HEX NUT
 BLUE DOT TECHNOLOGY

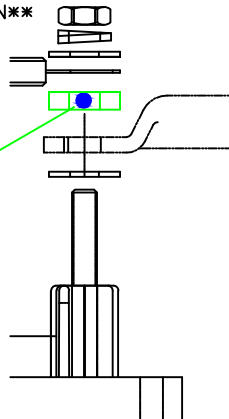
P/N 3842-001 1/4"-20 TIN-PLATED
 BRASS HEAVY HEX NUT
 BLUE DOT TECHNOLOGY

8-POINT POWER DISTRIBUTION POSTS VTE SERIES #'S 778N**




TIN PLATED BRASS
 HEAVY HEX JAM NUT
 BLUE DOT TECHNOLOGY

HI-AMP ANL FUSEHOLDER VTE SERIES #'S 753N**



NICKEL PLATED SPACER
 BLUE DOT TECHNOLOGY

 VTE Incorporated 5437 Robinson Road, P.O. Box 790 Pellston, Michigan 49769 Telephone: 1-800-527-9256, 231-539-8000 FAX: 231-539-0914			
TITLE: BLUE-DOT MULTI-LABEL			SCALE:
MATERIAL:		PART NO.	
COLOR: *****	DRG CLASS *****	16808110001	