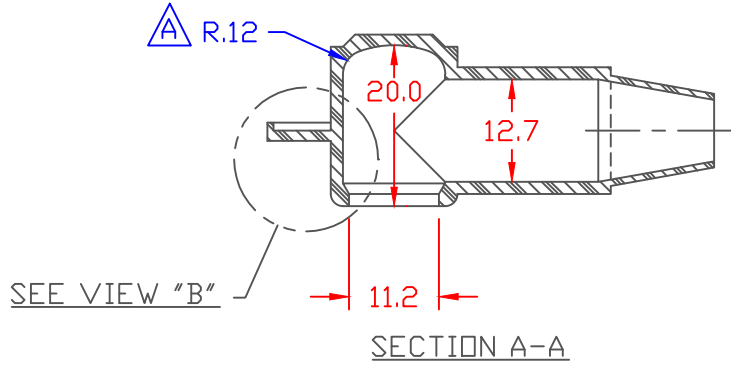


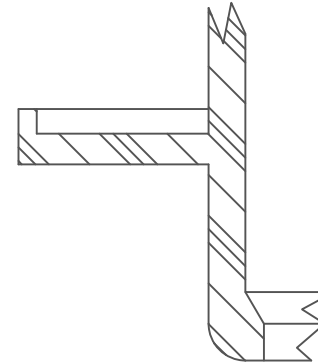
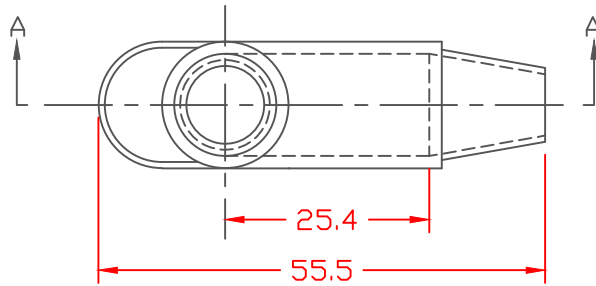
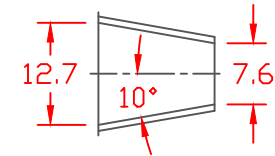
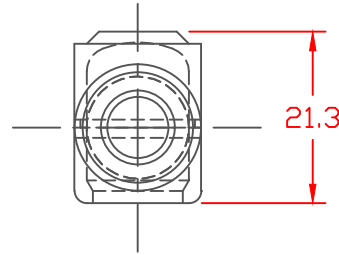
PROPRIETARY RIGHTS ARE CLAIMED FOR THE MATERIAL DISCLOSED IN THIS DRAWING.

LTR.	REVISIONS	DATE
△	ADDED .12 RADIUS	03-17-98

SEAL OPTIONS
SEAL THICKNESS = .8




TYP. WALL THICKNESS = 1.5
SEAL NO. 2 SHOWN



TOLERANCE UNLESS OTHERWISE SPECIFIED: $\pm 0.030"$ / $\pm 0.8\text{mm}$
RADIAL DIAMETERS TO BE MEASURED OVER MANDRELS,
RING GAGES OR PIN GAGES OF SUITABLE SIZE

VTE MATERIAL PART NO.: 1101650102S
MATERIAL: RED PVC
MATERIAL PART NO.: 7809-65-RED 683
MAX. OPERATING TEMP.: 135 C
SHORE DUROMETER: "A" 10 SEC. 63/67
SPECIFIC GRAVITY: 1.33
ULT. ELONGATION, %: 450 MIN.
OXYGEN INDEX, %: 22.5
TENSILE STRENGTH PSI: 2000
BRITTLNESS TEMP., DEG. C.: -29
U.L. RATING: 94 V2
TEAR STRENGTH, Ppi: 250





VTE Incorporated
5437 Robinson Road, P.O. Box 790
Pellston, Michigan 49769
Telephone: 1-800-527-9256, 231-539-8000
FAX: 231-539-0914

REF:	DATE: 10-5-93	DRN BY: JC	WEIGHT: .011 Lbs. / 4.99 G.
TITLE: TERMINAL INSULATOR CAP		CHK'D BY:	
MATERIAL:		PART NO. 212N2 S02	
COLOR:	DRG CLASS		