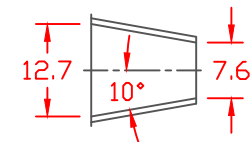
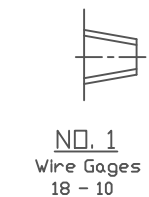
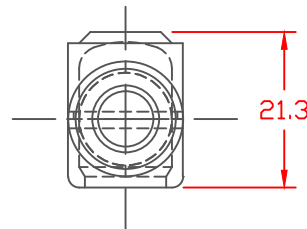
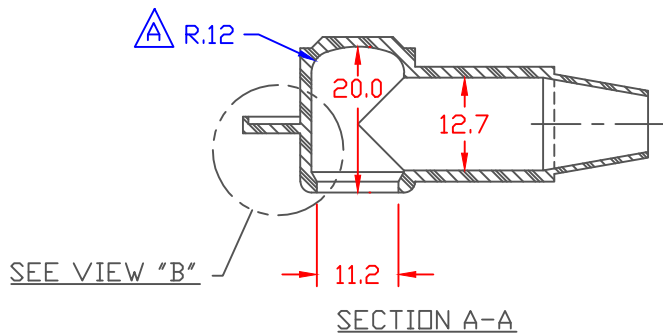


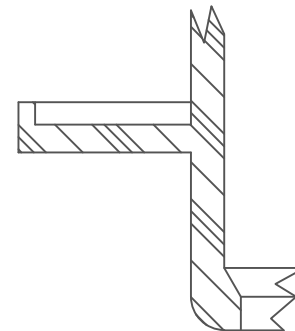
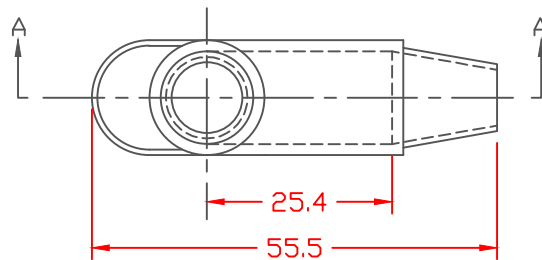
PROPRIETARY RIGHTS ARE CLAIMED FOR THE MATERIAL DISCLOSED IN THIS DRAWING.

LTR.	REVISIONS	DATE
∧	ADDED .12 RADIUS	03-17-98

SEAL OPTIONS
SEAL THICKNESS = .8



TYP. WALL THICKNESS = 1.5
SEAL NO. 2 SHOWN



TOLERANCE UNLESS OTHERWISE SPECIFIED: $\pm 0.30"/\pm 0.8\text{mm}$
RADIAL DIAMETERS TO BE MEASURED OVER MANDRELS,
RING GAGES OR PIN GAGES OF SUITABLE SIZE

Material:
Material Part No

Thermoplastic Elastomer
(Santoprene 201-64 or Equivalent)
Durometer 67 to 73 Shore A



		VTE Incorporated 5437 Robinson Road, P.O. Box 790 Pellston, Michigan 49769 Telephone: 1-800-527-9256, 231-539-8000 FAX: 231-539-0914	
		REF:	DATE:
	10-5-93	CHK'D BY:	.011 Lbs. / 4.99 G.
TITLE: TERMINAL INSULATOR CAP			
MATERIAL:		PART NO.	
COLOR:		212N2T02	
DRG CLASS			