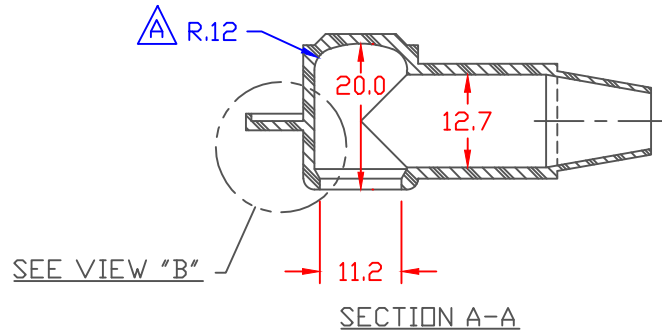
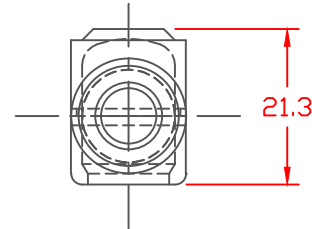


PROPRIETARY RIGHTS ARE CLAIMED FOR THE MATERIAL DISCLOSED IN THIS DRAWING.

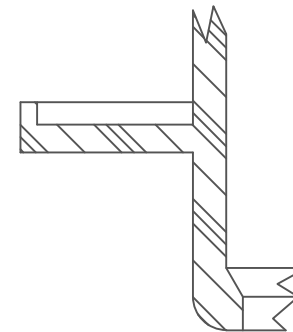
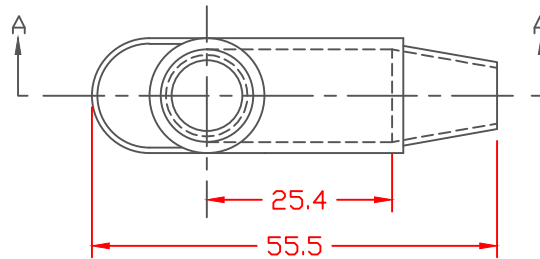
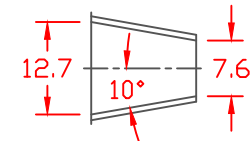
LTR.	REVISIONS	DATE
∧	ADDED .12 RADIUS	03-17-98



TYP. WALL THICKNESS = 1.5  
SEAL NO. 2 SHOWN



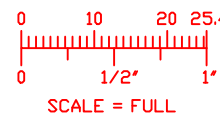
SEAL OPTIONS  
SEAL THICKNESS = .8



TOLERANCE UNLESS OTHERWISE SPECIFIED:  $\pm 0.30"/\pm 0.8\text{mm}$   
RADIAL DIAMETERS TO BE MEASURED OVER MANDRELS,  
RING GAGES OR PIN GAGES OF SUITABLE SIZE

VTE MATERIAL P/N.  
MATERIAL:  
MATERIAL PART NUMBER:  
MAX. OPERATING TEMP.:  
SHORE DUROMETER:  
SPECIFIC GRAVITY:  
ULT. ELONGATION %:  
BRITTLE TEMP.:  
TENSILE STRENGTH, PSI:  
LIMITING OXYGEN INDEX, %:

1203700115  
NATURAL THERMOPLASTIC ELASTOMER  
SANTOPRENE 251-70W232  
NO DATA  
"A" 5 SEC. 68/72  
1.23  
460  
-70.6 C.  
798 PSI  
26



		<b>VTE Incorporated</b> 5437 Robinson Road, P.O. Box 790 Pellston, Michigan 49769 Telephone: 1-800-527-9256, 231-539-8000 FAX: 231-539-0914	
		REF:	DATE: 10-5-93
TITLE: <b>TERMINAL INSULATOR CAP</b>			
MATERIAL:		PART NO. <b>212N2T15</b>	
COLOR:	DRG CLASS		