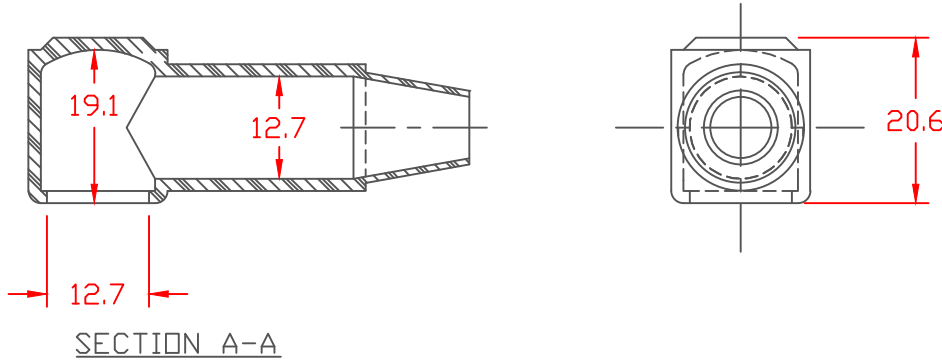


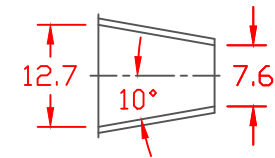
PROPRIETARY RIGHTS ARE CLAIMED FOR THE MATERIAL DISCLOSED IN THIS DRAWING.

LTR.	REVISIONS	DATE
✂	*****	00-00-98

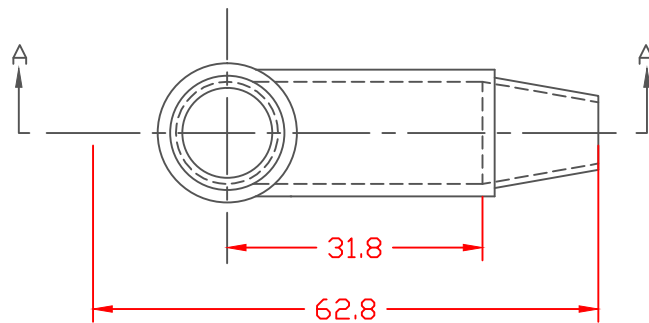
SEAL OPTIONS  
SEAL THICKNESS = .8



TYP. WALL THICKNESS = 1.5  
SEAL NO. 2 SHOWN

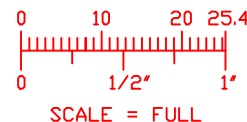



NO. 2  
Cable Gages  
8 - 2



TOLERANCE UNLESS OTHERWISE SPECIFIED: ±.030"/±0.8mm  
RADIAL DIAMETERS TO BE MEASURED OVER MANDRELS,  
RING GAGES OR PIN GAGES OF SUITABLE SIZE

VTE MATERIAL PART NO.:	1101650114S
MATERIAL:	BLACK PVC
MATERIAL PART NO.:	7809-65-BLACK
MAX. OPERATING TEMP.:	135 C
SHORE DUROMETER:	"A" 10 SEC. 63/67
SPECIFIC GRAVITY:	1.33
ULT. ELONGATION, %:	450 MIN.
OXYGEN INDEX, %:	22.5
TENSILE STRENGTH, PSI:	2000 PSI
BRITTLENESS TEMP., DEG. C.:	-29
U.L. RATING:	94 V2
TEAR STRENGTH, Ppi.:	250



		<b>VTE Incorporated</b> 5437 Robinson Road, P.O. Box 790 Pellston, Michigan 49769 Telephone: 1-800-527-9256, 231-539-8000 FAX: 231-539-0914	
		REF:	DATE: 10-5-93
TITLE: <b>TERMINAL INSULATOR CAP W/O TAB</b>		CHK'D BY:	
MATERIAL:		PART NO. <b>214E2S14 X1</b>	
COLOR:	DRG CLASS		