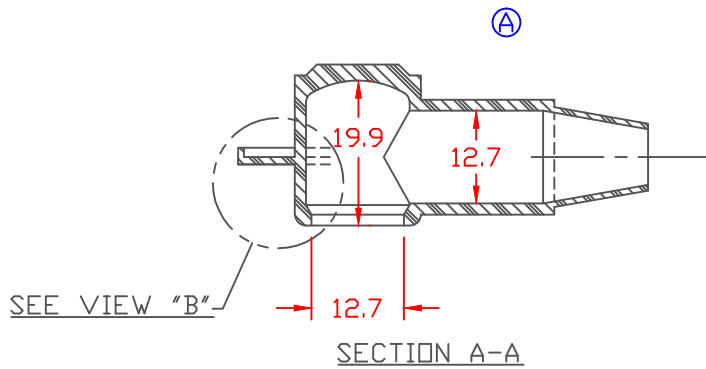


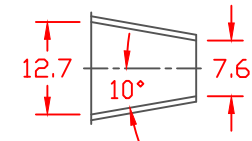
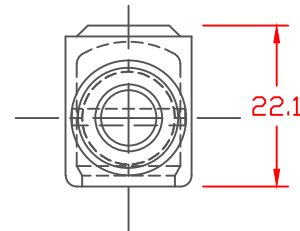
PROPRIETARY RIGHTS ARE CLAIMED FOR THE MATERIAL DISCLOSED IN THIS DRAWING.

LTR.	REVISIONS	DATE
	REVISED TO AGREE WITH PARTS AS MANUFACTURED	27AUG14

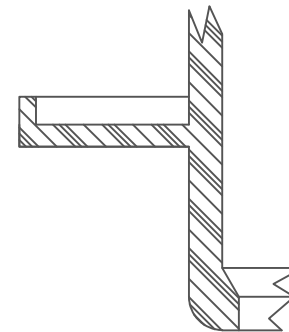
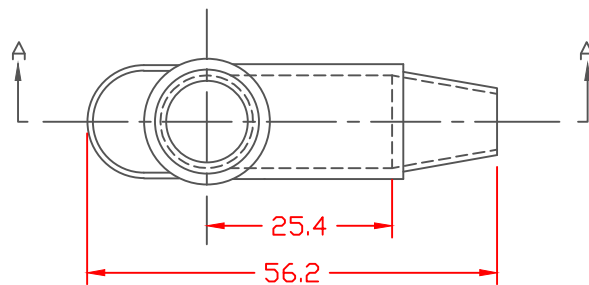
SEAL OPTIONS
SEAL THICKNESS = .8



TYP. WALL THICKNESS = 1.5
SEAL NO. 2 SHOWN



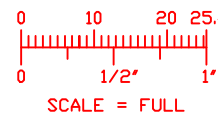
NO. 2
Cable Gages
8 - 2



VIEW "B" TOLERANCE UNLESS OTHERWISE SPECIFIED: $\pm 0.30^\circ / \pm 0.8\text{mm}$
SCALE: 3" = 1"
RADIAL DIAMETERS TO BE MEASURED OVER MANDRELS,
RING GAGES OR PIN GAGES OF SUITABLE SIZE

Material:
Material Part No

Thermoplastic Elastomer
(Santoprene 101-64 or Equivalent)
Durometer 67 to 73 Shore A



		VTE Incorporated 5437 Robinson Road, P.O. Box 790 Pellston, Michigan 49769 Telephone: 1-800-527-9256, 231-539-8000 FAX: 231-539-0914	
		REF:	DATE:
	10-5-93	CHK'D BY:	.013 LBS. / 5.90 G.
TITLE: TERMINAL INSULATOR CAP			
MATERIAL:		PART NO.	
COLOR:		214N2 T14	
DRG CLASS			