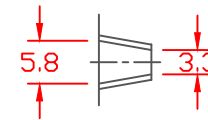


PROPRIETARY RIGHTS ARE CLAIMED FOR THE MATERIAL DISCLOSED IN THIS DRAWING.

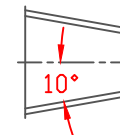
LTR.	REVISIONS	DATE	INT.
△	UPDATED DIMENSION REFERENCE	02-16-16	RAS

SEAL OPTIONS

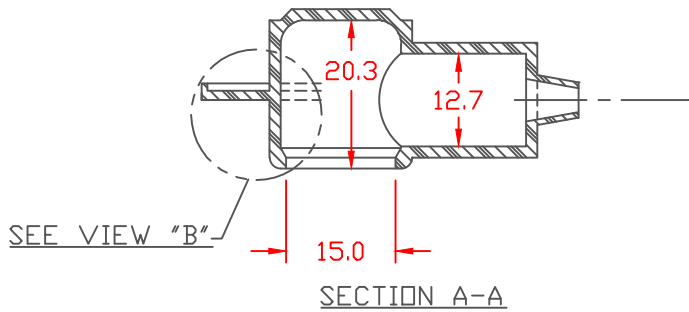
SEAL THICKNESS = .8



NO. 1  
Wire Gages  
18 - 10

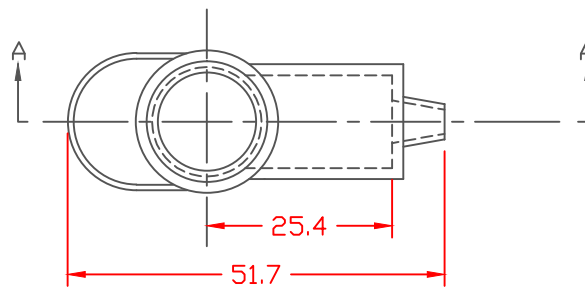


NO. 2  
Cable Gages  
8 - 2

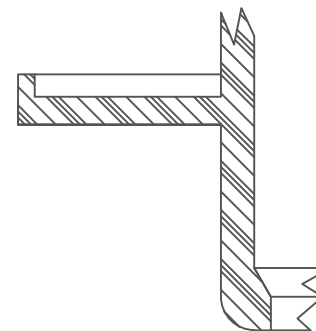
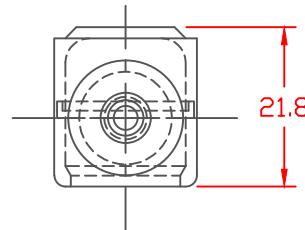


TYP. WALL THICKNESS = 1.5

SEAL NO. 1 SHOWN



REFERENCE ONLY

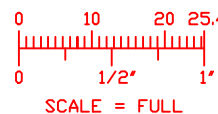



VIEW "B"  
SCALE: 3" = 1"

TOLERANCE UNLESS OTHERWISE SPECIFIED:  $\pm 0.030 / \pm 0.8\text{mm}$   
RADIAL DIAMETERS TO BE MEASURED OVER MANDRELS,  
RING GAGES OR PIN GAGES OF SUITABLE SIZE

Material:  
Material Part No

Thermoplastic Elastomer  
(Santoprene 201-64 or Equivalent)  
Durometer 67 to 73 Shore A



		<b>VTE Incorporated</b> 5437 Robinson Road, P.O. Box 790 Pellston, Michigan 49769 Telephone: 1-800-527-9256, 231-539-8000 FAX: 231-539-0914	
		REF:	DATE: 10-5-93
TITLE: <b>TERMINAL INSULATOR CAP</b>			
MATERIAL:		PART NO. <b>216N1T02</b>	
COLOR:	DRG CLASS		